

PLN GROUP



SCRUM COUCH

Designed by IQ Commercial

SCRUM COUCH

Designed by IQ Commercial

PLN GROUP

Today's agile teams come together using daily scrums to improve communications, eliminate unnecessary meetings, and highlight and promote quick decision-making. Our Scrum* range is designed to assist with five engaging settings:

About Scrum Couch Offers an informal space to consult or reflect in comfort – or as part of a setting for larger gatherings.

Also available as a Couch+ setting with high walls and canopy for additional acoustic and visual privacy.

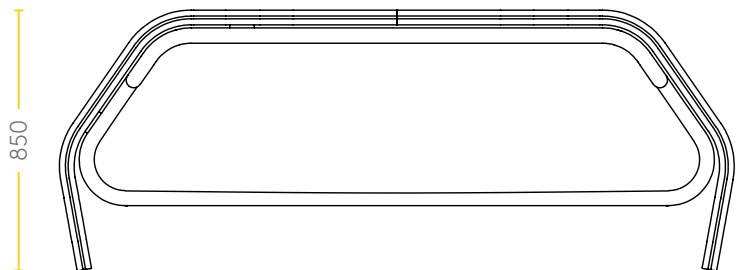
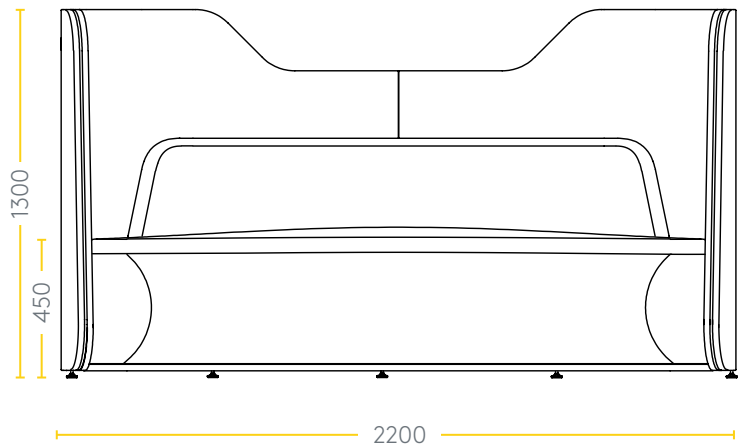
Dimensions 2200L x 850D x 1300H (Couch)
2200L x 850D x 1800H (Couch+)
450H Seat

Options

- Available in a variety of fabrics.
- Power/data points available in seats as required for flexible working.
- Couch+ with high walls and canopy.

Features

- Carefully crafted design detailing
- Welt-edging and crowned top seat bring a comfortable, lounge-like feel to the office
- High-quality materials and premium upholstery for long-lasting durability and acoustic privacy.
- Light-weight MDF frame
- Sits on adjustable-height glides
- Units nest for economical shipping
- 5 year warranty



Option for higher walls and canopy on the Couch+

*The Scrum analogy compares high-performing, cross-functional teams to the scrum formation used by rugby teams. A daily scrum is a short meeting held each day where members work closely together to review progress, support and empower one another, and ultimately push forward towards a common goal. For more agile settings, view our other products in the Scrum Range.

Designed and made in New Zealand.