

PLN GROUP



SCRUM ISOLATE

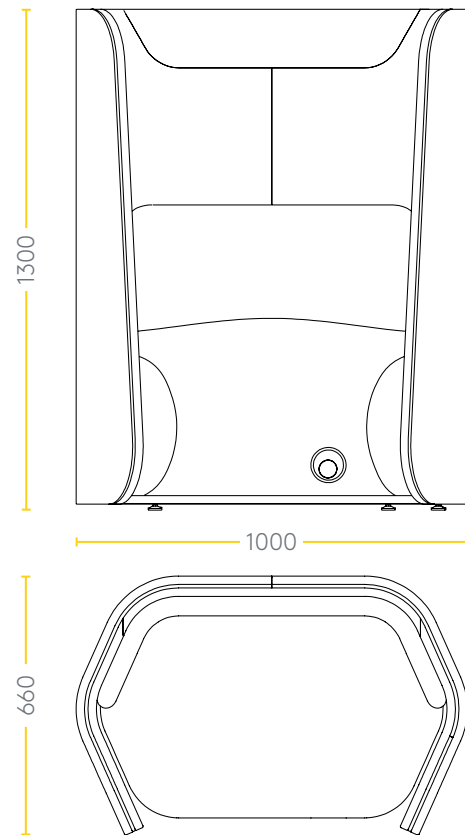
Designed by IQ Commercial

SCRUM ISOLATE

Designed by IQ Commercial

PLN GROUP

Today's agile teams come together using daily scrums to improve communications, eliminate unnecessary meetings, and highlight and promote quick decision-making. Our Scrum* range is designed to assist with five engaging settings.



About

Scrum Isolate is a semi-private space to focus and reflect in comfort in open areas between "scrums*." The high, wrap-around sides provide a level of visual and acoustic privacy. Position two isolate units together when working quietly as a pair.

Dimensions

1000L x 660D x 1300H

Options

- Available in a variety of fabrics.
- Power/data points available in seats as required for flexible working

Features

- Soft, organic shapes with carefully crafted design detailing
- Welt-edging and crowned top seat bring a comfortable, lounge-like feel to the office
- High-quality materials and premium upholstery for long-lasting durability and acoustic privacy.
- Light-weight MDF frame
- Sits on adjustable-height glides
- Units nest for economical shipping
- 5 year warranty

Designed and made in New Zealand.

**The Scrum analogy compares high-performing, cross-functional teams to the scrum formation used by rugby teams. A Daily Scrum is a short meeting held each day where members work closely together to review progress, support and empower one another, and ultimately push forward towards a common goal. View our other products in the PLN Group Scrum Range.*