

KEYSTONE™ ORDER SHEET

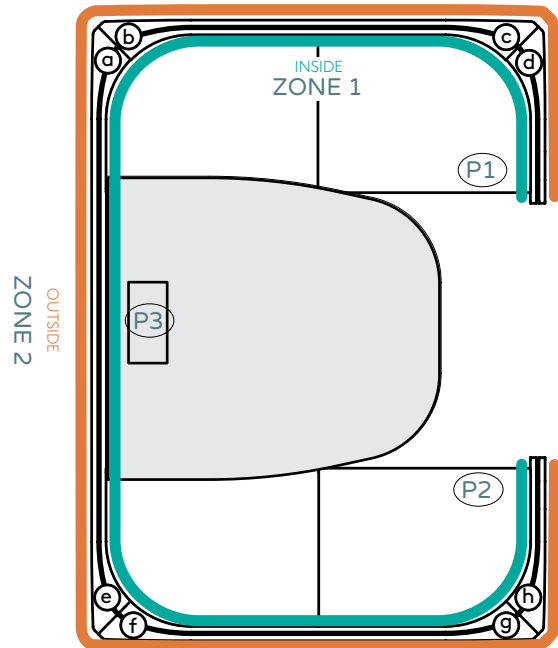
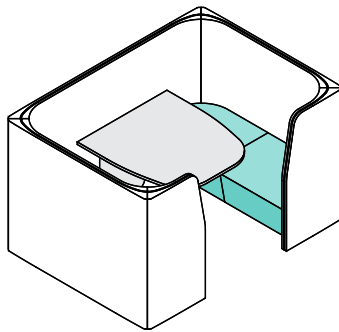


This sheet is to be printed, scanned and attached to the relevant PO for IQ Commercial.

ORDER NUMBER: _____

Please fill in the below information specification i.e. fabric orientation, power/data options etc.
Only fully detailed sheets, signed and dated will be accepted by IQ Commercial.

KEYSTONE™ PRIVATE DINER FOR FOUR



ZONE	POWER / DATA	SEAT FABRIC / TABLE SELECTION	WALL FABRIC SELECTION
1	Pixel (P1) <input type="checkbox"/> Black <input type="checkbox"/> White	TABLE TOP SELECTION <input type="checkbox"/> Snowdrift <input type="checkbox"/> Seal Grey <input type="checkbox"/> NZ Tawa <input type="checkbox"/> Sublime Teak <input type="checkbox"/> Futura White <input type="checkbox"/> Futura Black <input type="checkbox"/> Finnish Birch	Supplier: Design: Colour:
	Pixel (P2) <input type="checkbox"/> Black <input type="checkbox"/> White Partner (P3) <input type="checkbox"/> Black <input type="checkbox"/> White	SEAT FABRIC SELECTION Supplier: Design: Colour:	
2	N/A	N/A	Supplier: Design: Colour:

UMBILICAL PLACEMENT / POWER FROM CEILING

Identify location if a portal is required for power from ceiling (see diagram above)

Ⓐ Ⓑ Ⓒ Ⓓ Ⓔ Ⓕ Ⓖ Ⓗ

POWER SELECTION

Country of Final Destination: _____

NOTES

THROW CUSHIONS FABRIC

Supplier:

Design:

Colour:

NAME: _____ SIGNATURE: _____ DATE: _____