

PLN GROUP



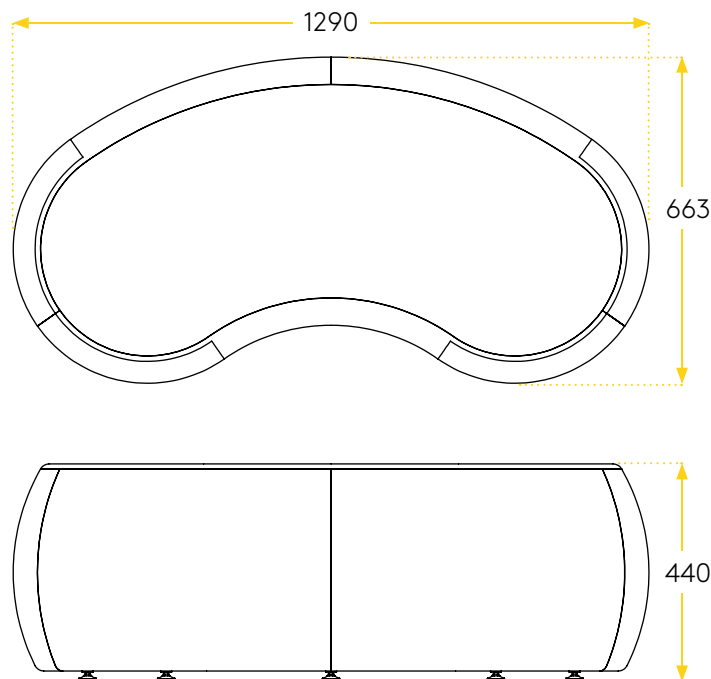
JELLY BEAN

Designed by Essenze

JELLY BEAN OTTOMAN

Designed by Essenze

PLN GROUP



Dimensions 1290L x 663W x 440H

About

Jelly Bean is a fun and flexible seating option for open collaborative spaces or reception areas. Available in a wide variety of fabric options, it adds fun and functionality to a space.

Specifications

- Constructed of solid plywood frame with layered commercial grade foam
- Available in a variety of fabrics. The curved shape requires fabrics that have a degree of stretch.
- Rests on 6 adjustable-height glides
- Weight: 17.5 kg

Designed and made in New Zealand.