

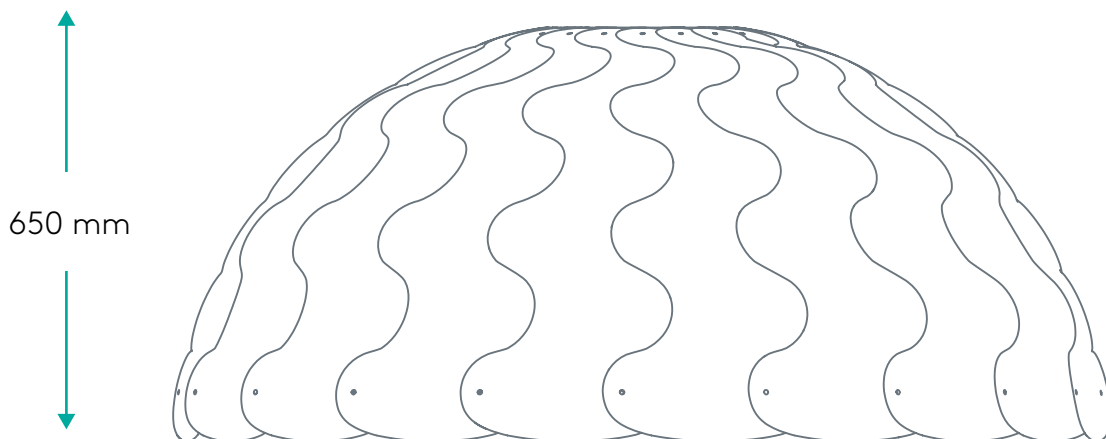
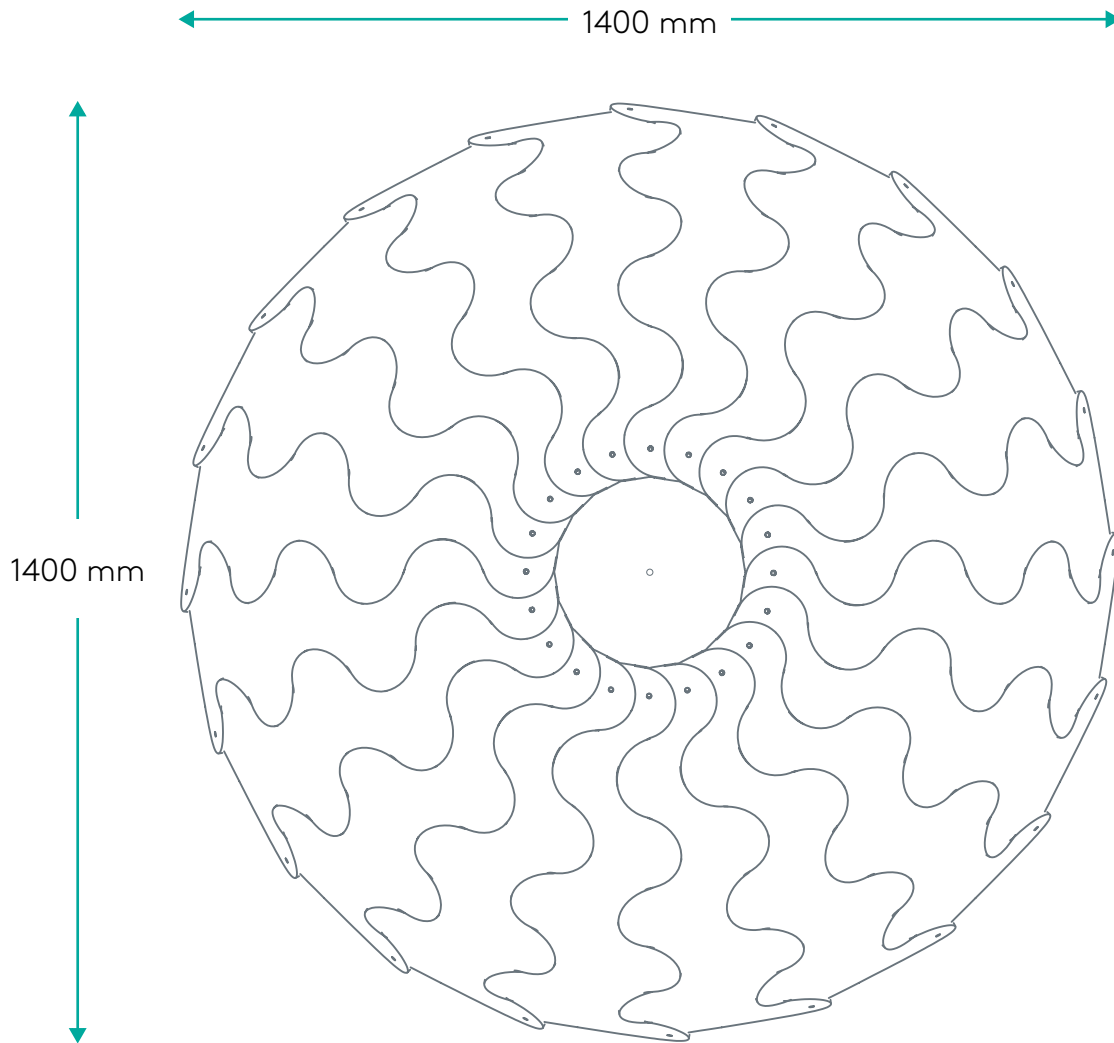
HUSH ROUND

by David Trubridge Ltd.



A PLN Group Brand

Overall Dimensions - Model: 1017-B (240V)



HUSH ROUND

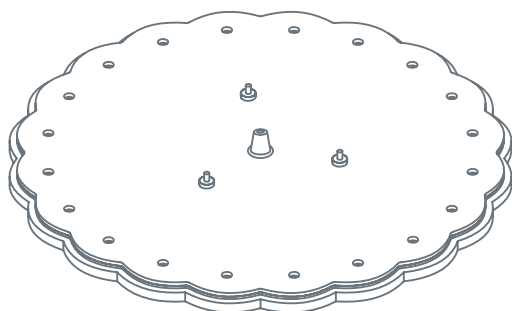
by David Trubridge Ltd.



A PLN Group Brand

Contents (not to scale)

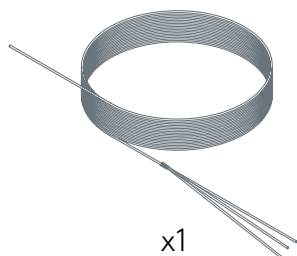
Please double check all components are present and quantities are correct before beginning assembly



x1
Top Panel Assembly
(Power cable not shown)



x20
Tapered Felt Panels



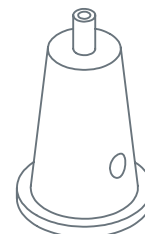
x1
2.1m cable



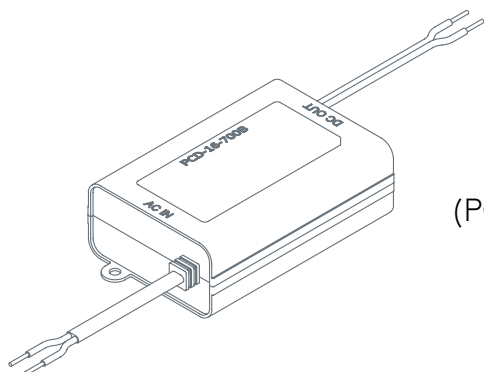
x40 (+5)
Small Ratchet Rivets
(13mm)



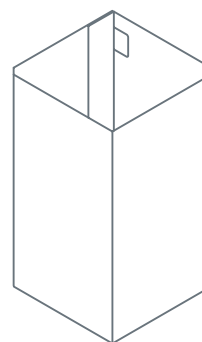
x40 (+5)
Large Ratchet Rivets
(19mm)



x1
Cone Gripper
with Base



x1
LED Driver
(PCD-16-700B)



x2
Folded
Cardboard
Pillars

HUSH ROUND

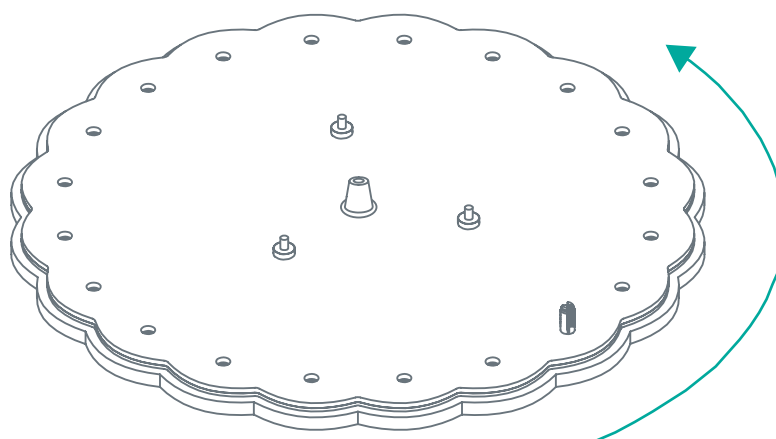
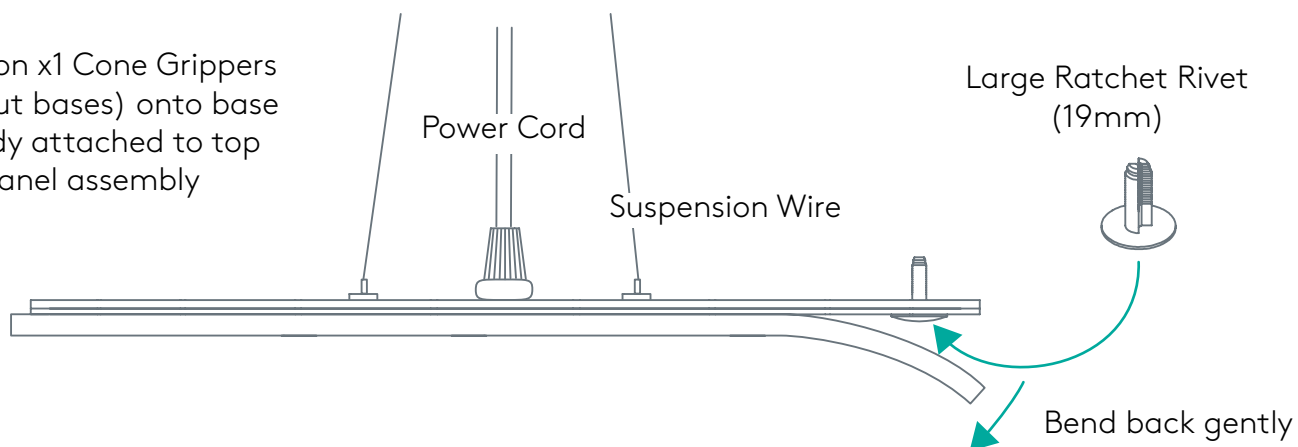
by David Trubridge Ltd.



A PLN Group Brand

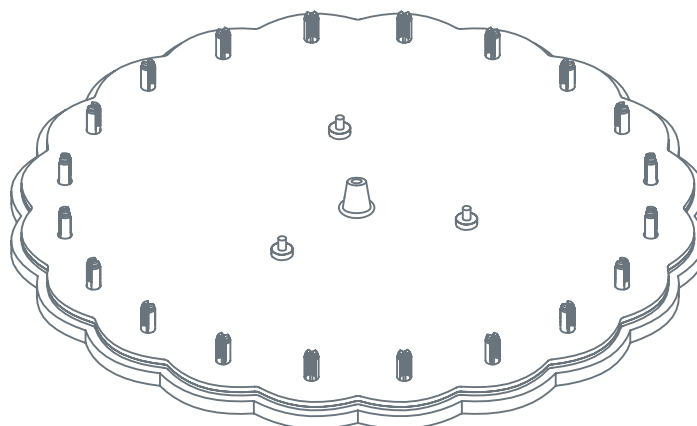
Step 1 - Top Panel Ratchet Rivet Assembly

Screw on x1 Cone Grippers (without bases) onto base already attached to top panel assembly



Insert Large Ratchet Rivets (.74in / 19mm) in all holes around edge.

(power cord and suspension wires not shown)



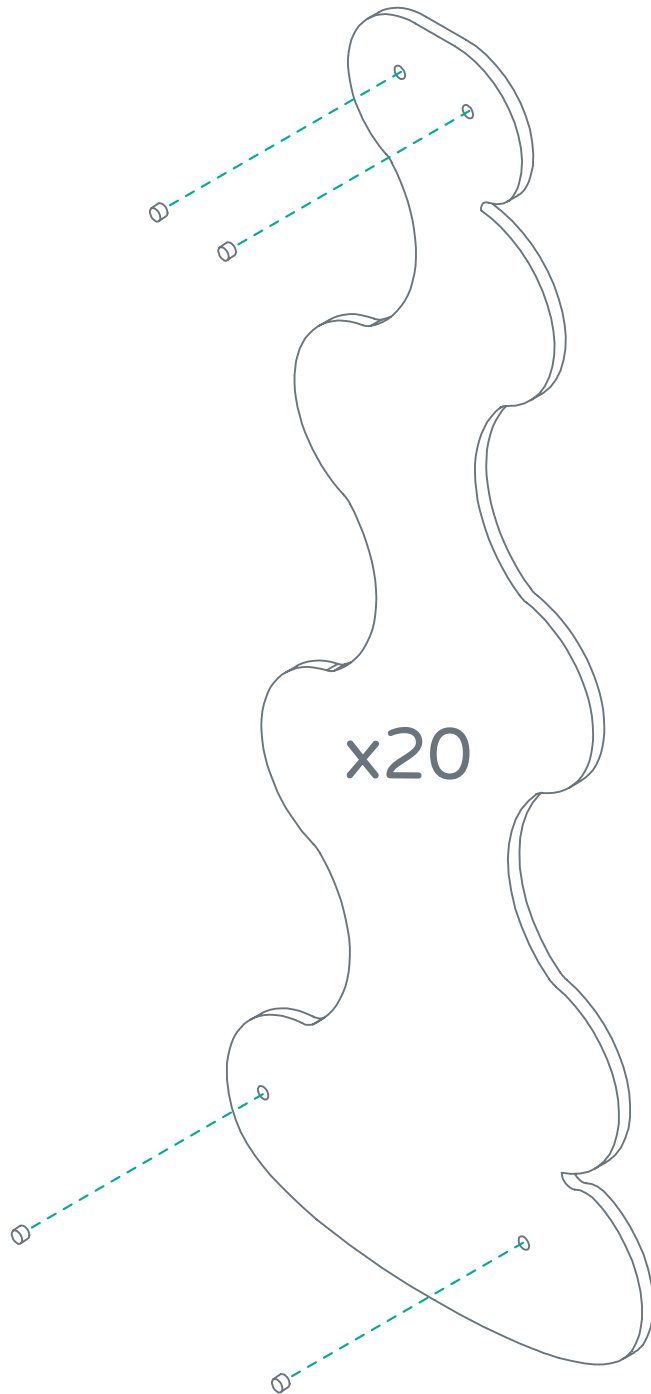
HUSH ROUND

by David Trubridge Ltd.



A PLN Group Brand

Step 2 - Pop out side panel plugs



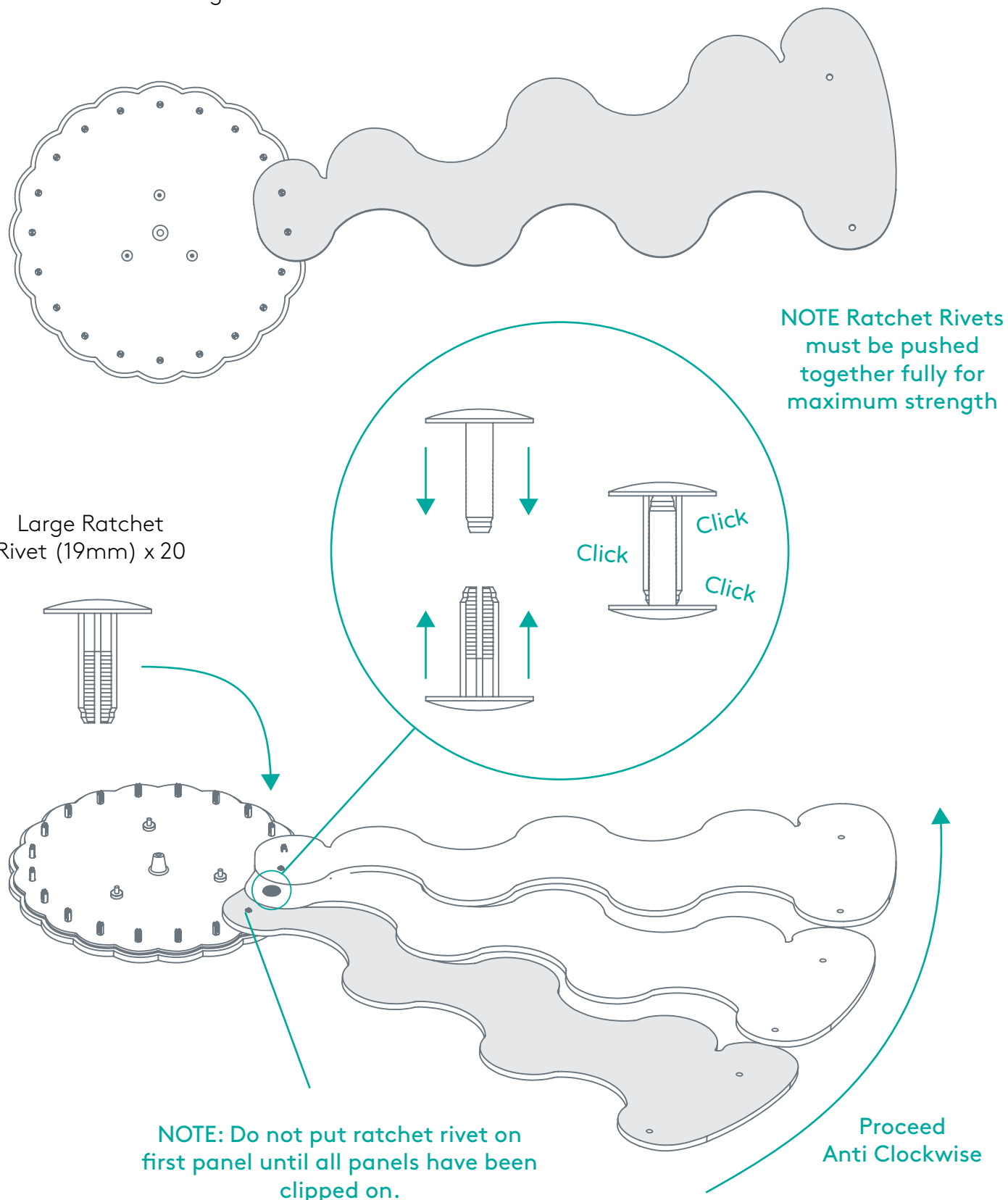
Push out the 4 plugs per panel to make way for the plastic clips.

HUSH ROUND

by David Trubridge Ltd.

Step 3 - Top Panel to Side Panel Assembly

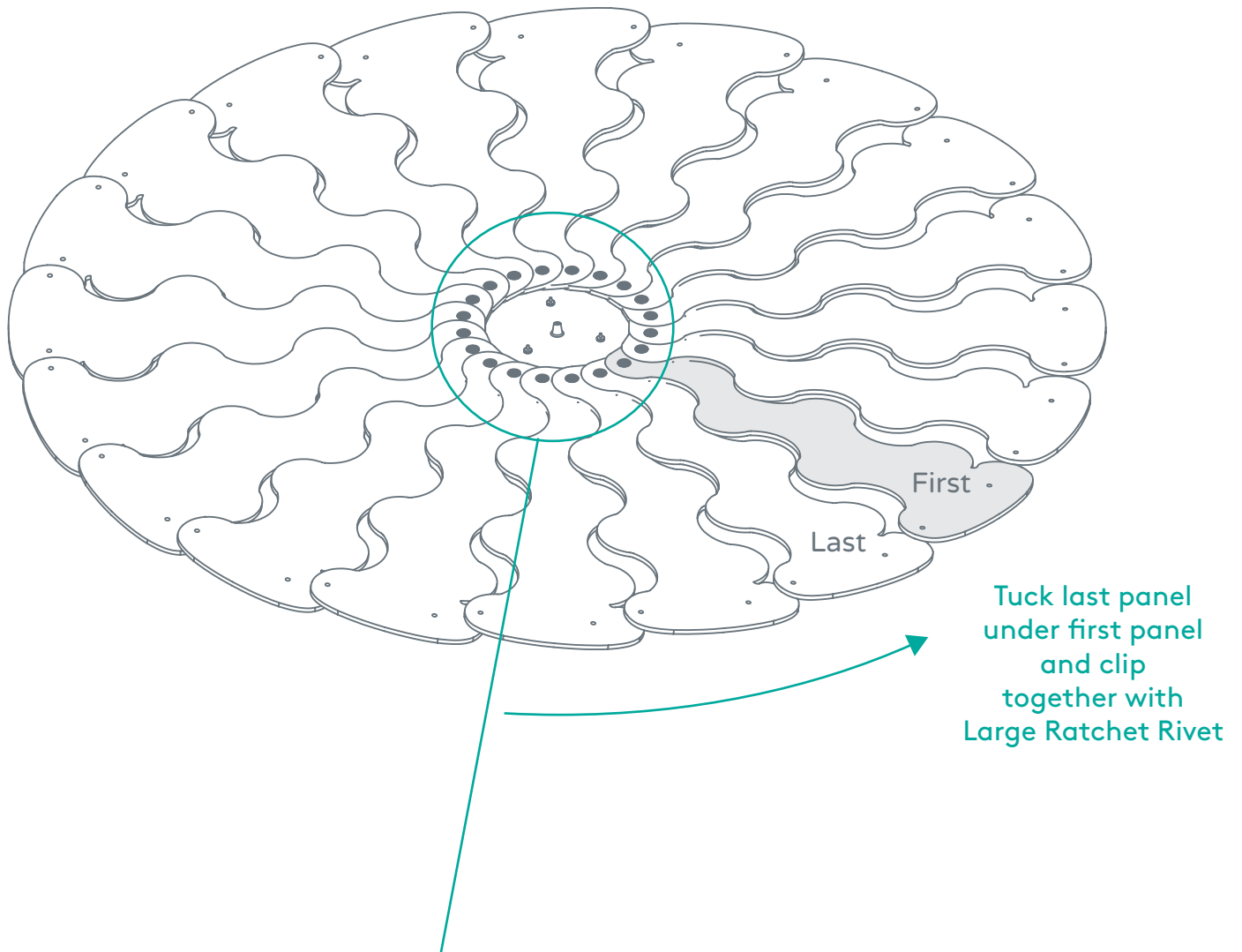
Assemble on a large clean surface or on floor.



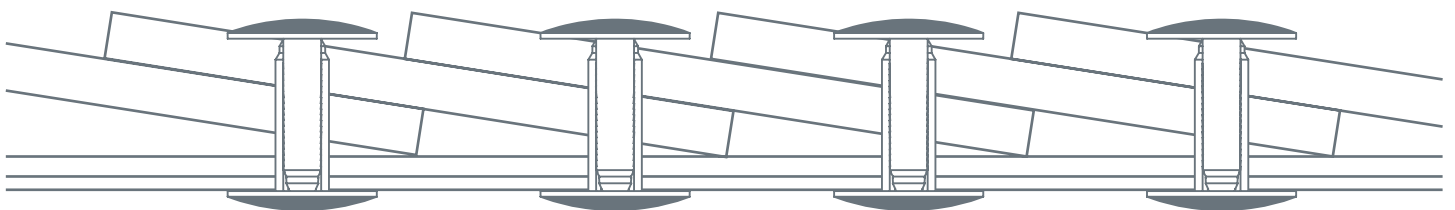
HUSH ROUND

by David Trubridge Ltd.

Step 4 - Top Panel to Side Panel Assembly Continued



Cross Section Detail View of Top Panels overlapping.



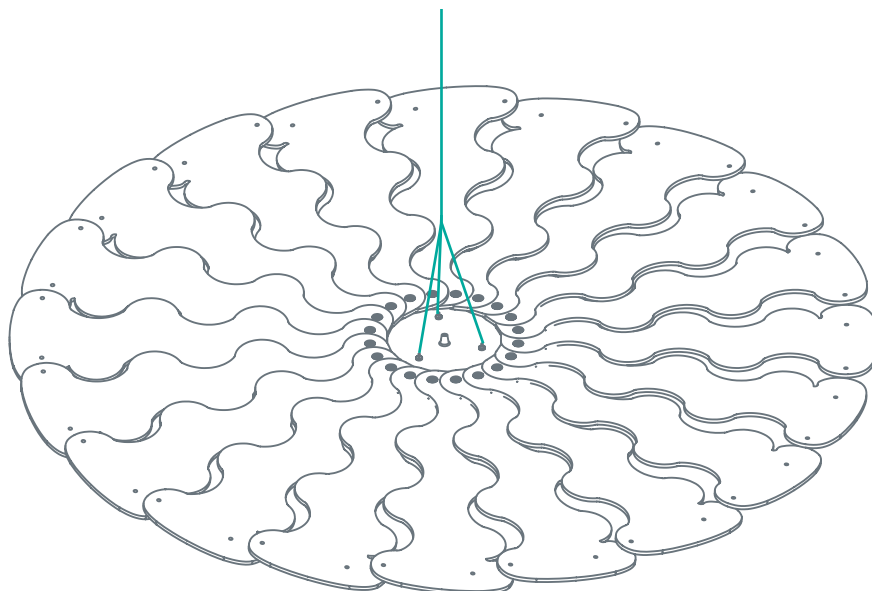
HUSH ROUND

by David Trubridge Ltd.

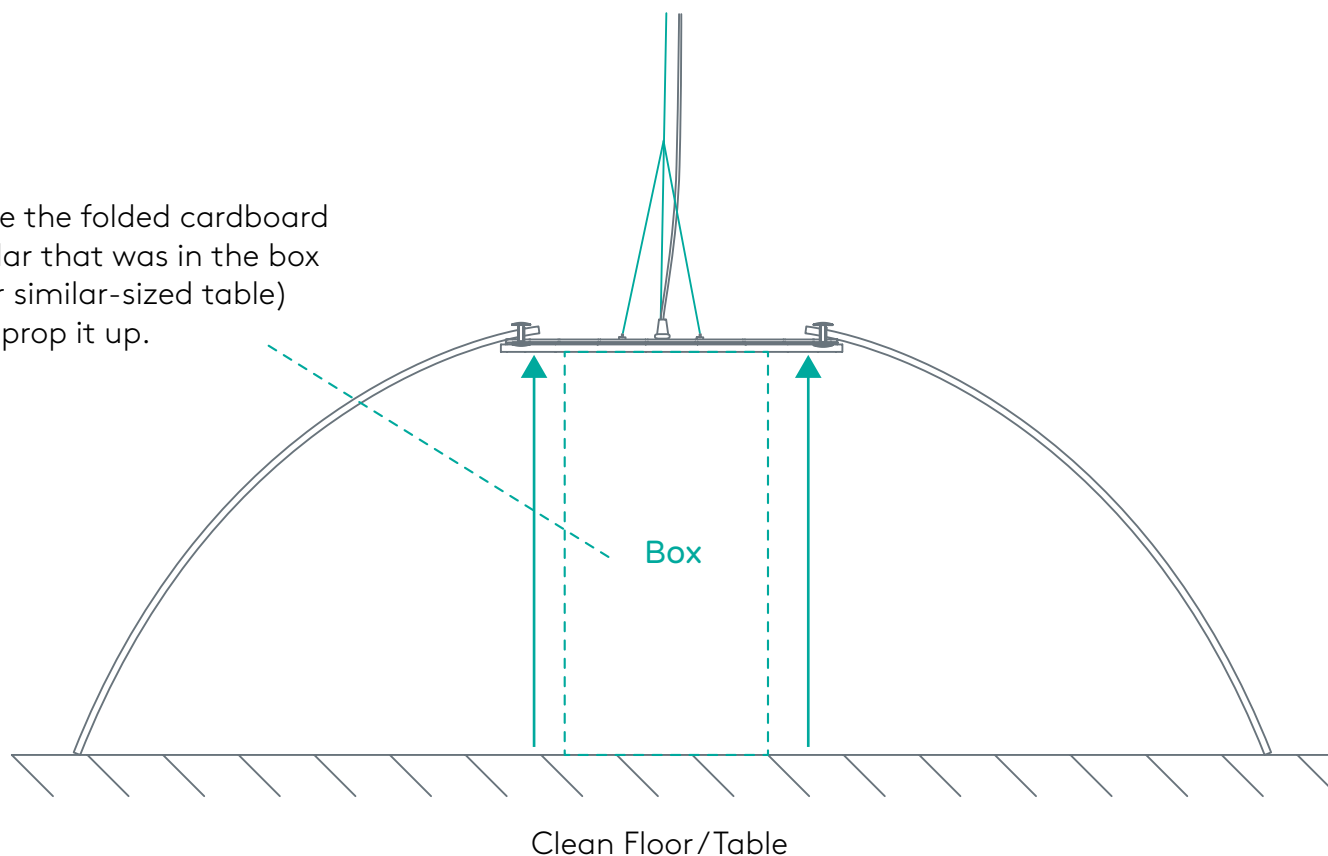
Step 5 - Lifting into shape

Use suspension cable to lift the Hush Round approximately 650mm from the floor/surface.

The panels will begin to fall into their natural shape.



Use the folded cardboard pillar that was in the box (or similar-sized table) to prop it up.



Step 6A - Weaving of Panels - Exploded Detail

Bold Lines indicate the 'Ear' that sits on the outside of the Hush Round.
This weaving pattern is essential to lock the shape together

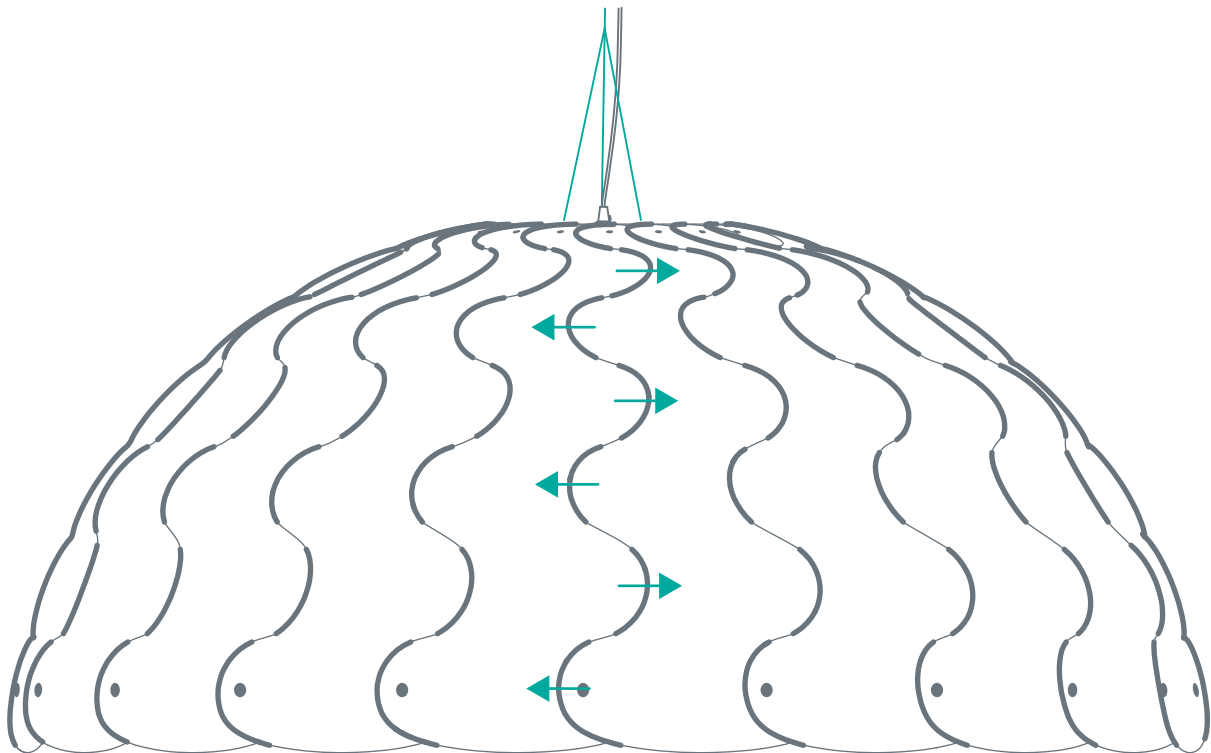
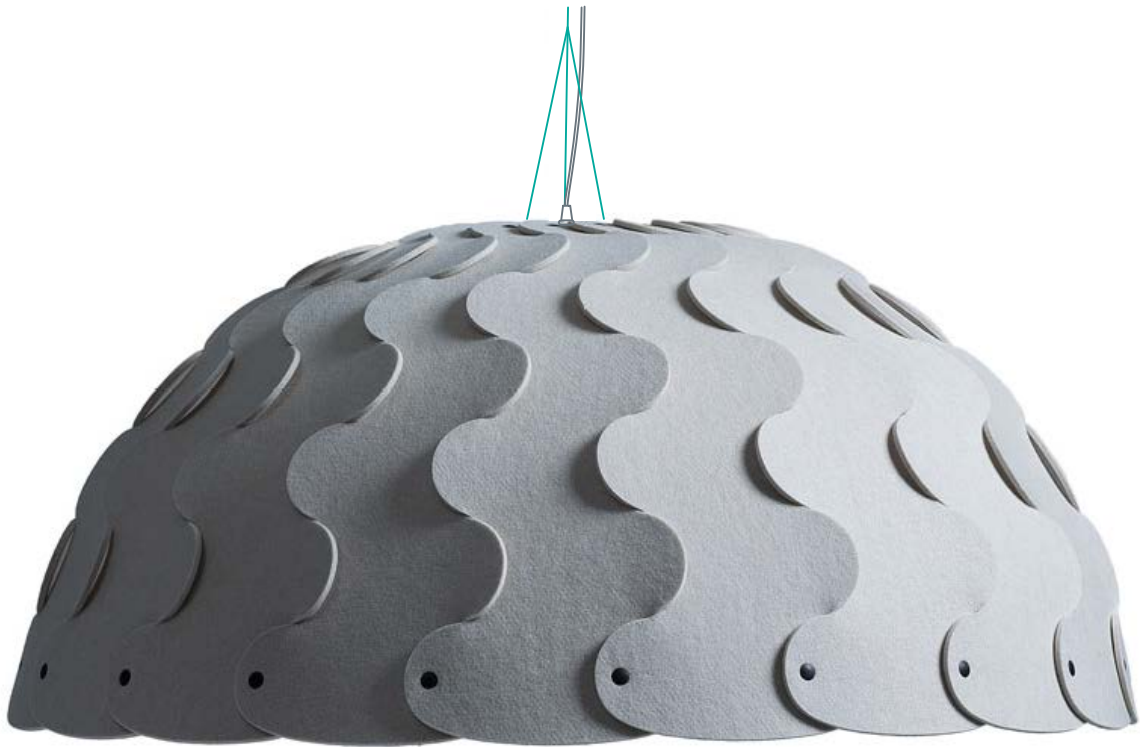


Once two panels are woven together, use two of the shorter Ratchet Rivets (13 mm) to lock them together.

HUSH ROUND

by David Trubridge Ltd.

Step 6A - Weaving of Panels - Finished Detail



Bold Lines indicate the 'Ear' that sits on the outside of the Hush Round.
This weaving pattern is essential to lock the shape together

HUSH ROUND

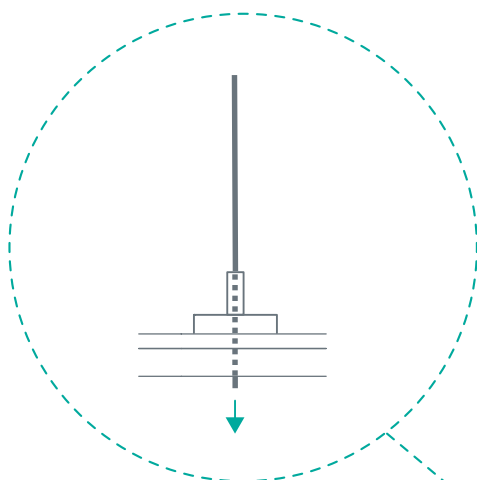
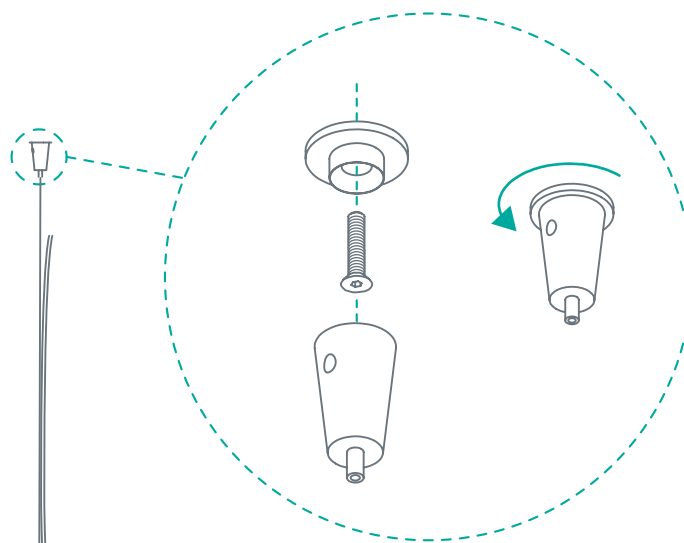
by David Trubridge Ltd.

Step 7 - Height Adjustment and Levelling

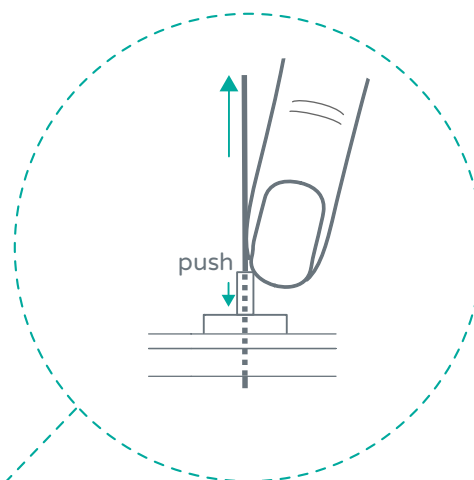
Ceiling Mounting Point.

If installing into wood use a countersunk timber screw (not supplied) to affix cone grip to ceiling.

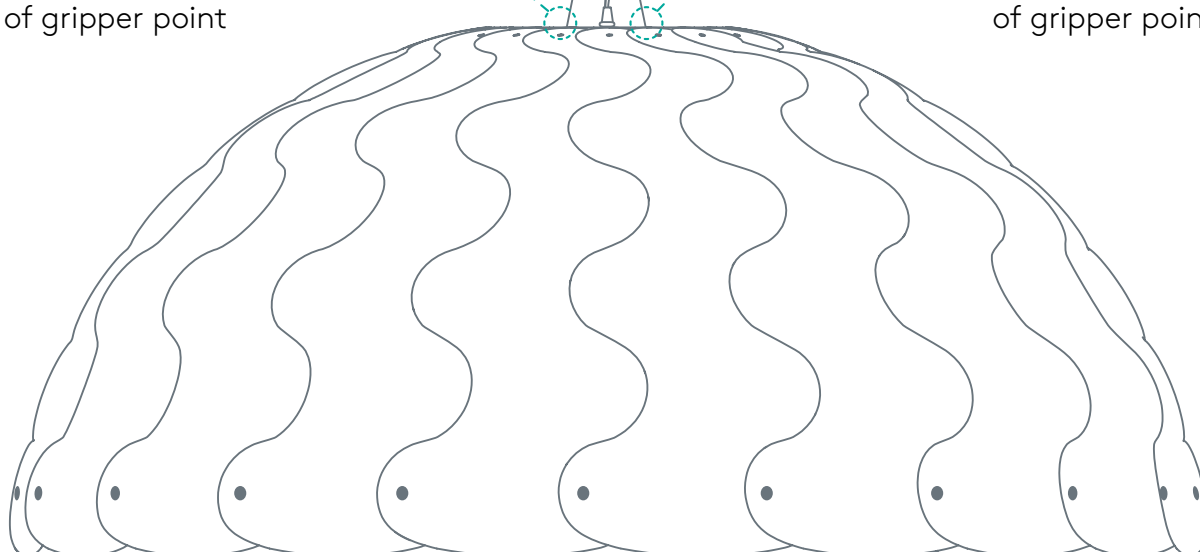
If installing into concrete use countersunk anchor bolt (not supplied) to affix cone grip to ceiling.



To shorten wire:
Pull cable through hole
in side of gripper point



To lengthen wire:
Depress cylinder at top
of gripper point and pull
wire out

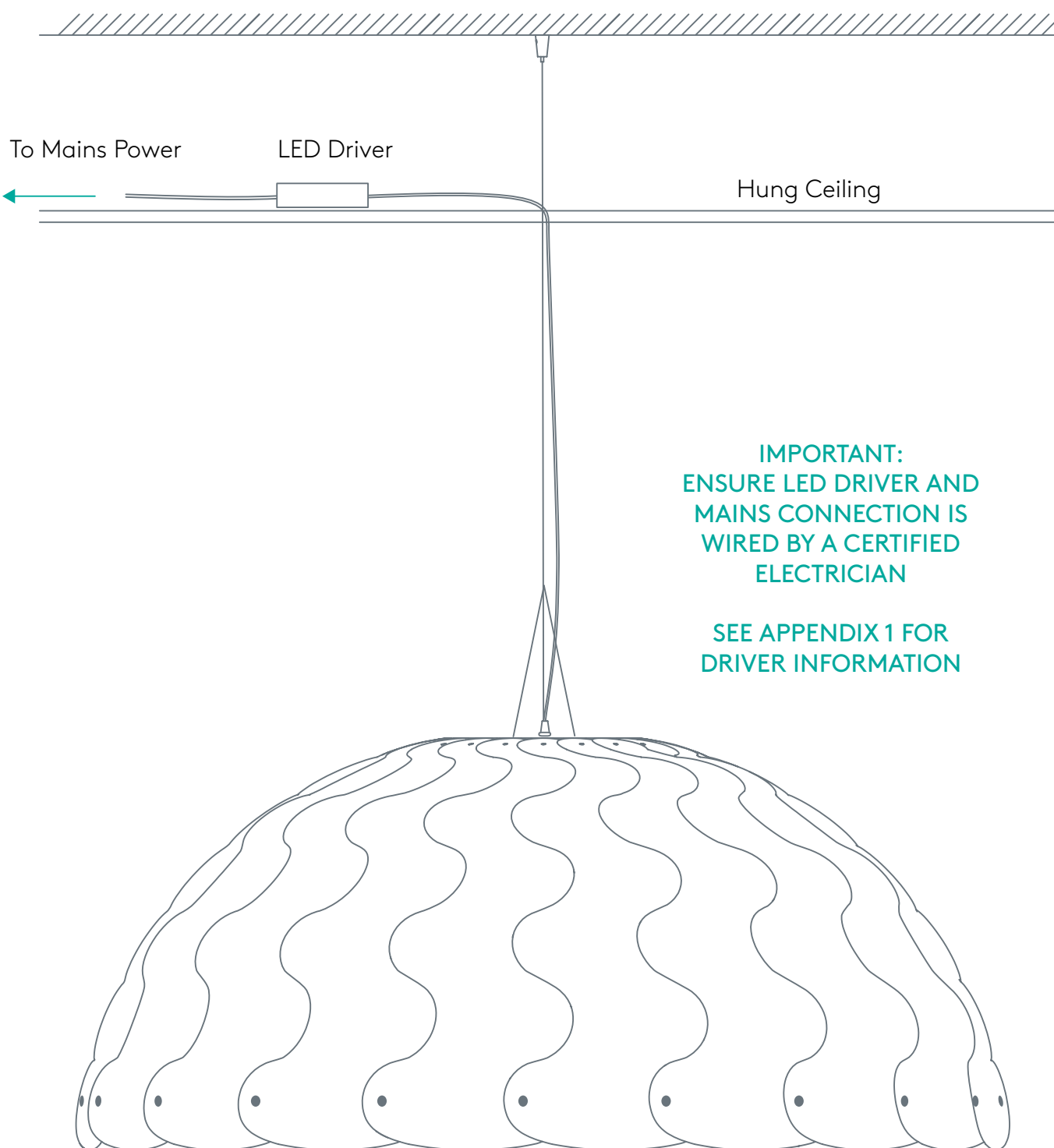


HUSH ROUND

by David Trubridge Ltd.

Step 8 - Electrics, Suggested LED driver placement with hanging ceiling

Concrete

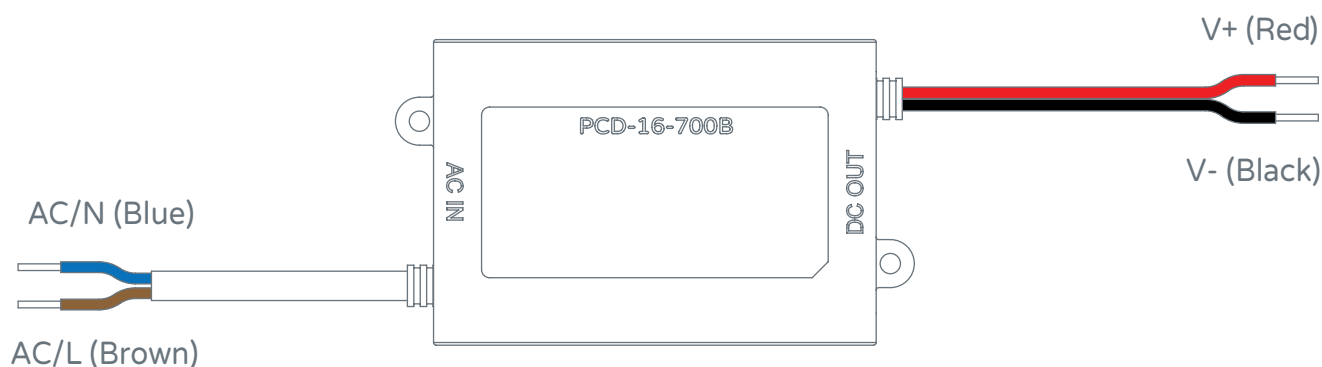


IMPORTANT:
ENSURE LED DRIVER AND
MAINS CONNECTION IS
WIRED BY A CERTIFIED
ELECTRICIAN

SEE APPENDIX 1 FOR
DRIVER INFORMATION

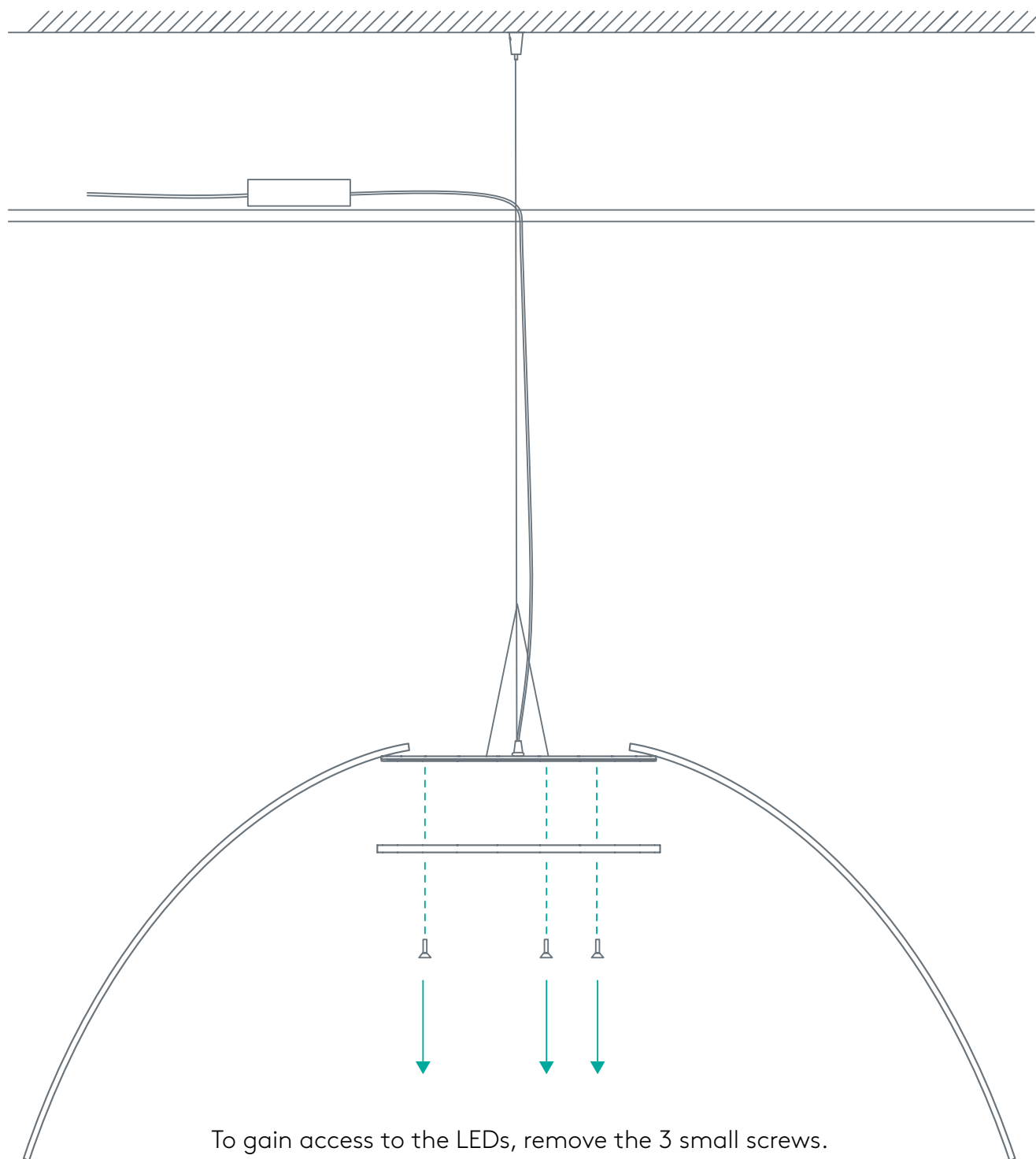
Appendix 1: LED Driver Diagram

MEANWELL 16W Single Output C Dimmable LED Power Supply
(PCD-16-700B)



IMPORTANT:
THIS PRODUCT MUST BE INSTALLED IN ACCORDANCE
WITH THE APPLICABLE INSTALLATION CODE BY A
PERSON FAMILIAR WITH THE CONSTRUCTION AND
OPERATION OF THE PRODUCT AND THE HAZARDS INVOLVED

Appendix 2: Access to LED Lights for maintenance



To gain access to the LEDs, remove the 3 small screws.

Appendix 3: Top Panel Sub Assembly

