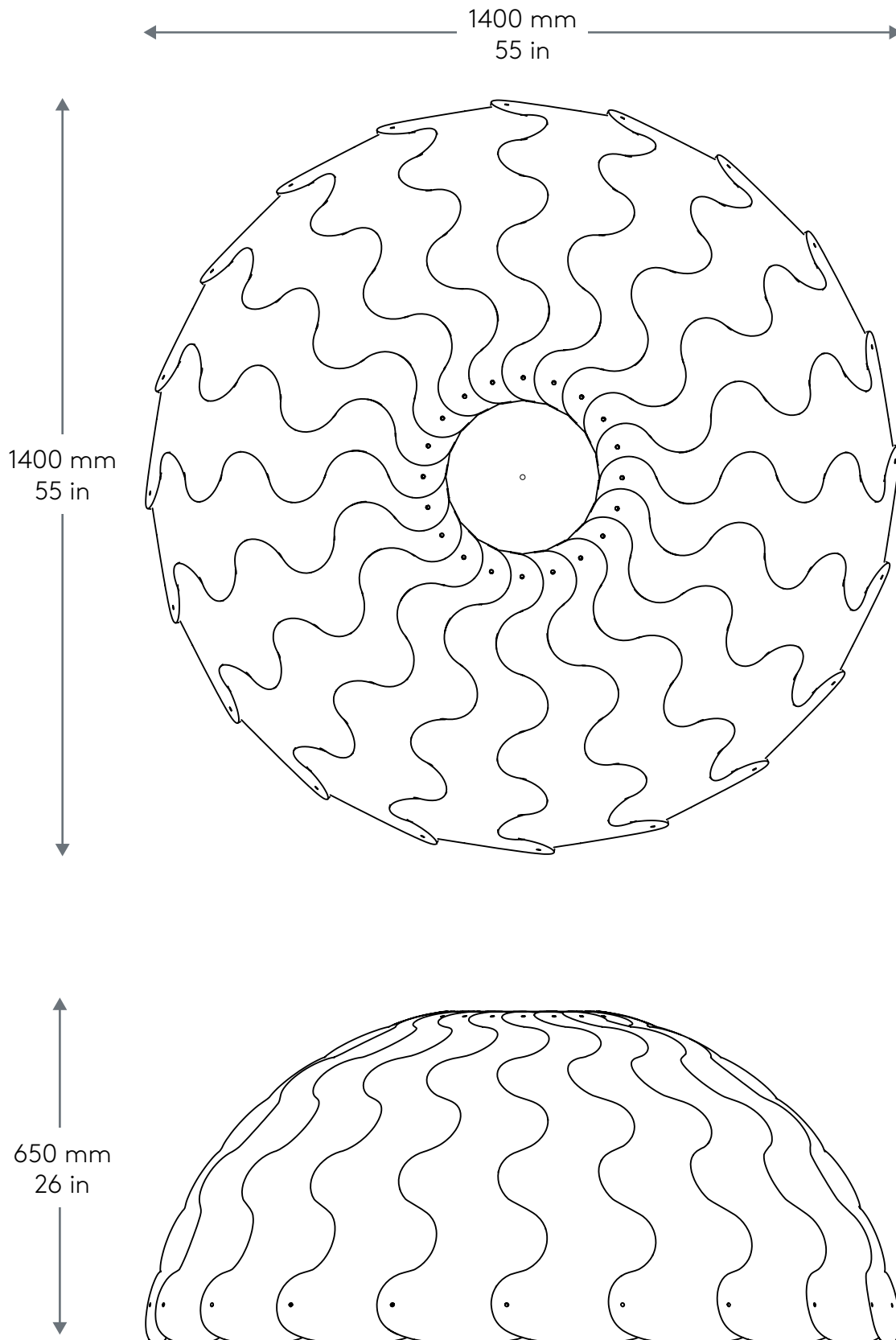


HUSH ROUND

Designed by David Trubridge

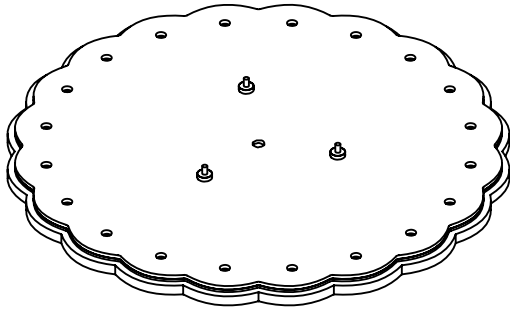
PLN GROUP

Overall Dimensions - Model: 1017C (Hood)

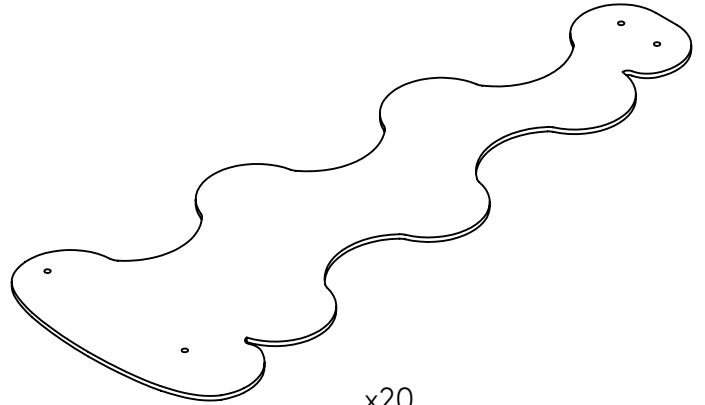


Contents (not to scale)

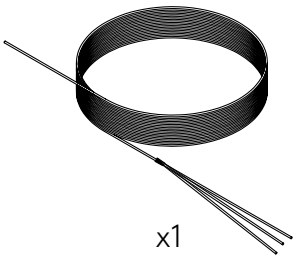
Please double check all components are present and quantities are correct before beginning assembly



x1
Top Panel Assembly



x20
Tapered Felt Panels



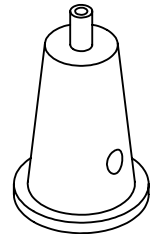
x1
2.1m cable
(82 in)



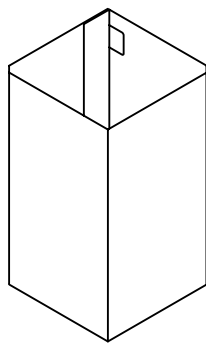
x40 (+5)
Small Ratchet Rivets
(13mm / .5 in)



x40 (+5)
Large Ratchet Rivets
(19mm / .74in)

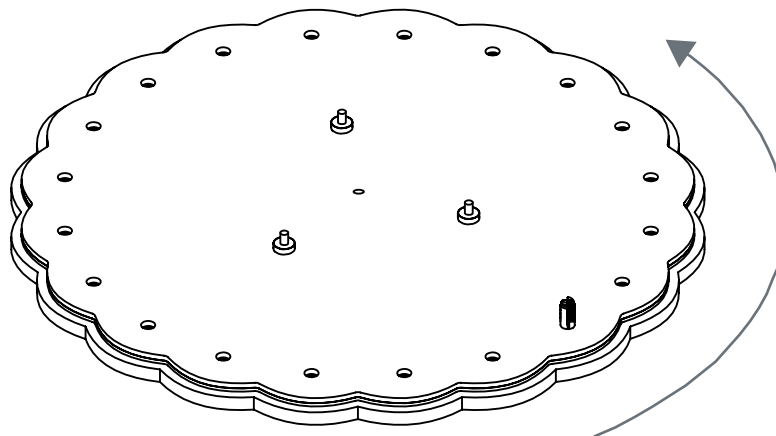
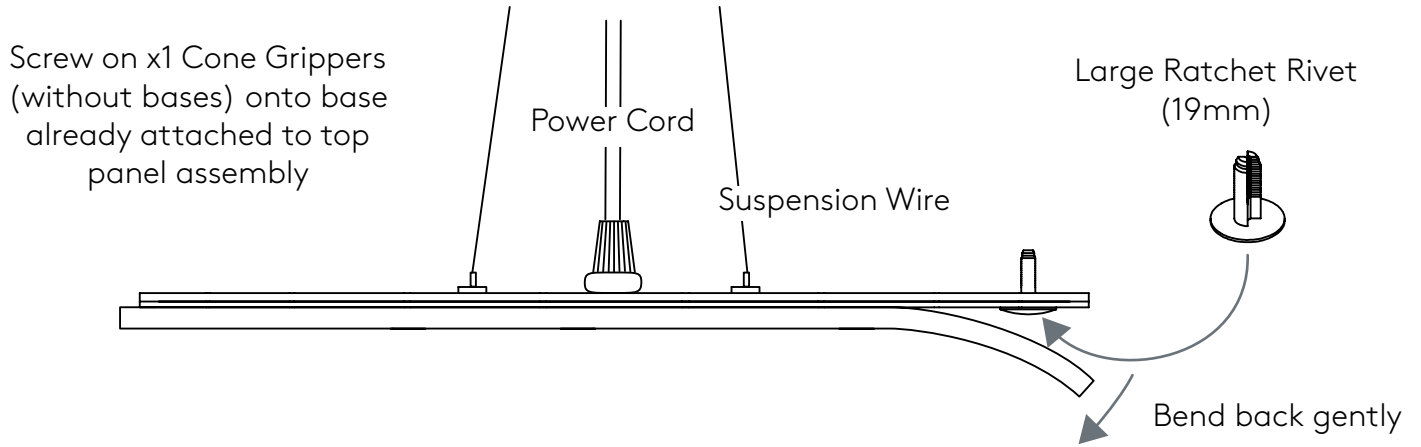


x1
Cone Gripper
with Base



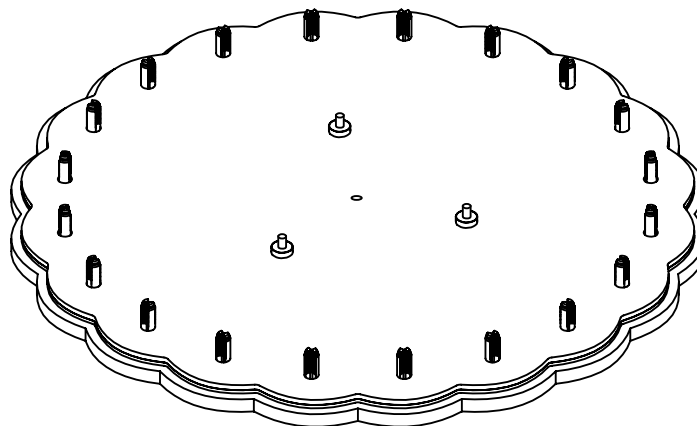
x2
Folded
Cardboard
Pillars

Step 1 - Top Panel Ratchet Rivet Assembly

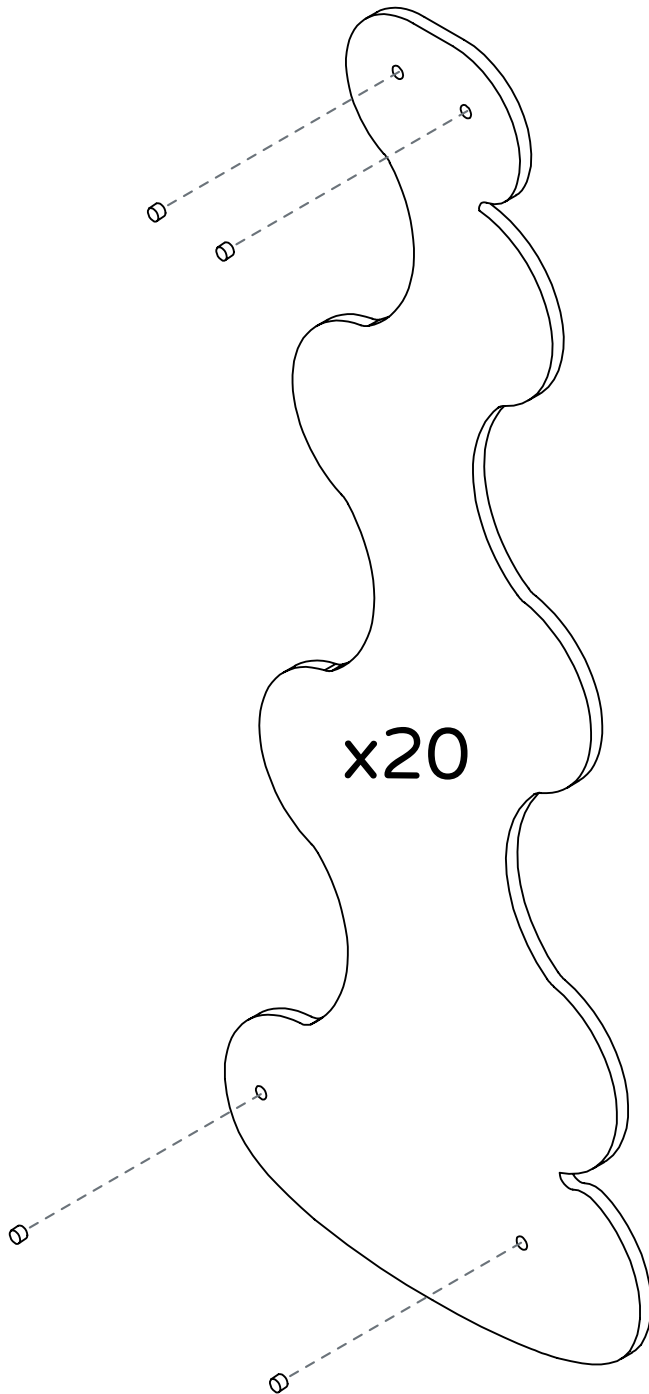


Insert Large Ratchet Rivets (19mm) in all holes around edge.

(suspension wires not shown)



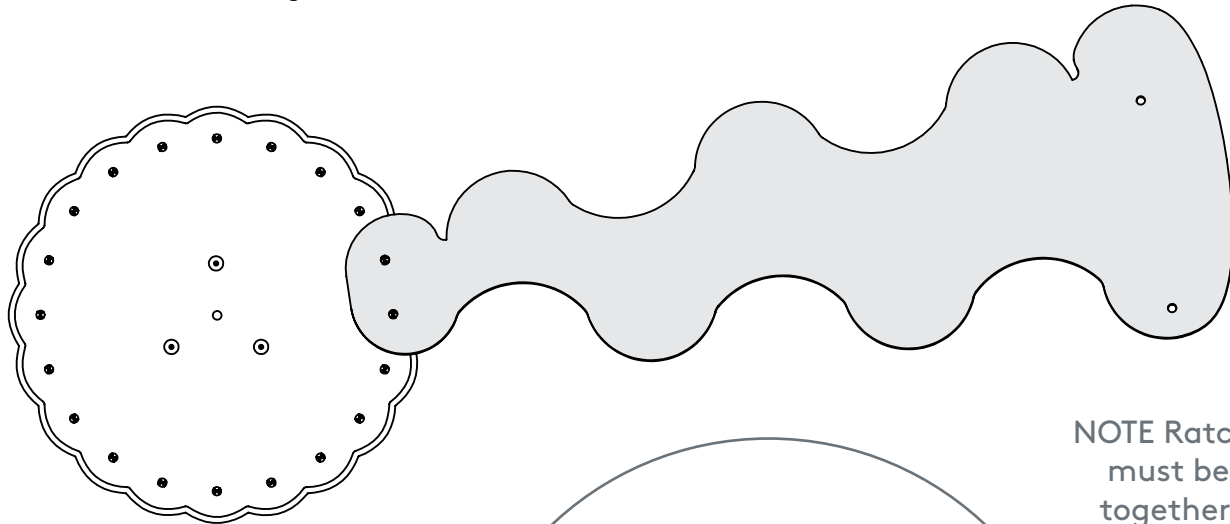
Step 2 - Pop out side panel plugs



Push out the 4 plugs per panel to make way for the plastic clips.

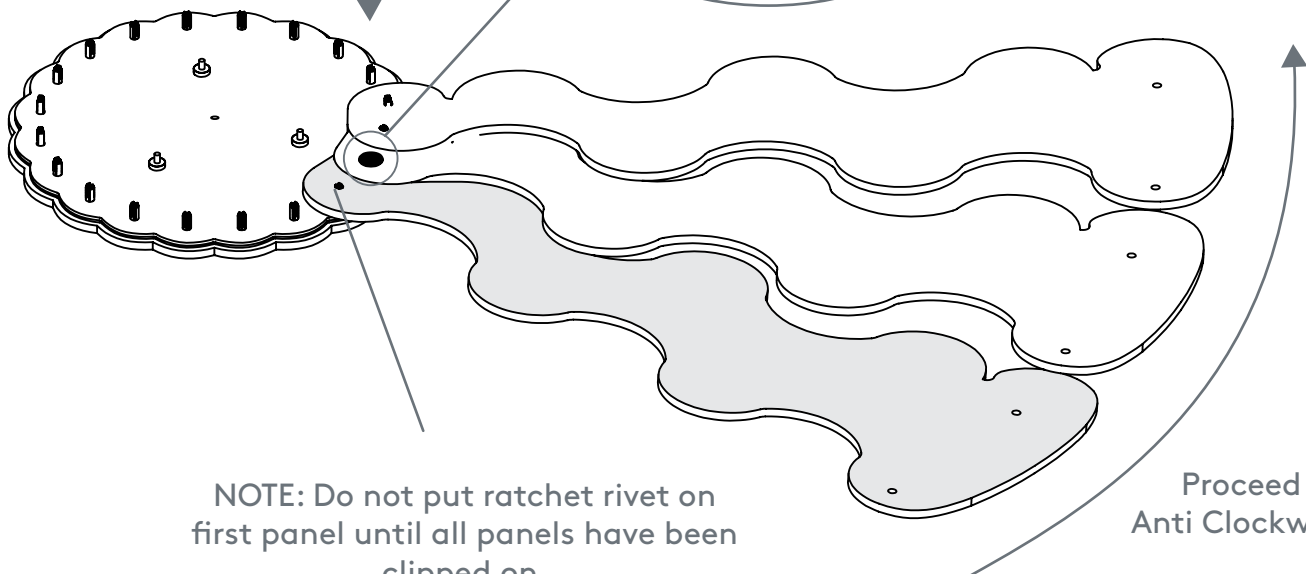
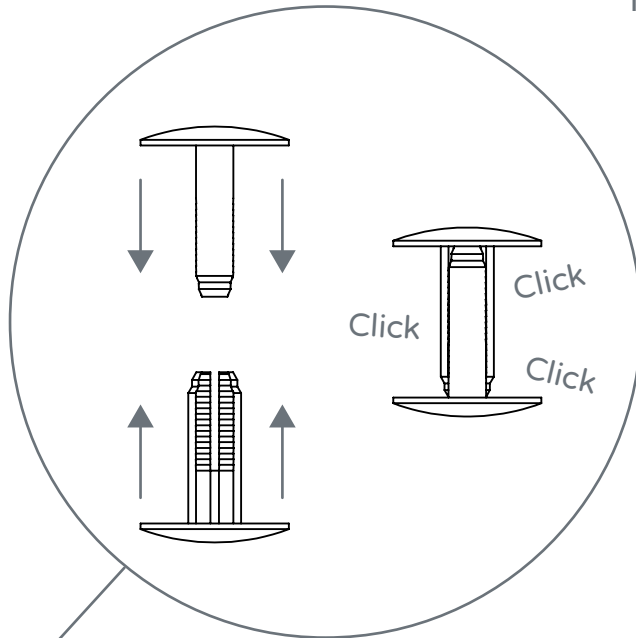
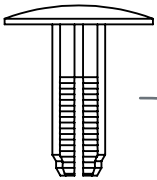
Step 3 - Top Panel to Side Panel Assembly

Assemble on a large clean surface or on floor.



NOTE Ratchet Rivets must be pushed together fully for maximum strength

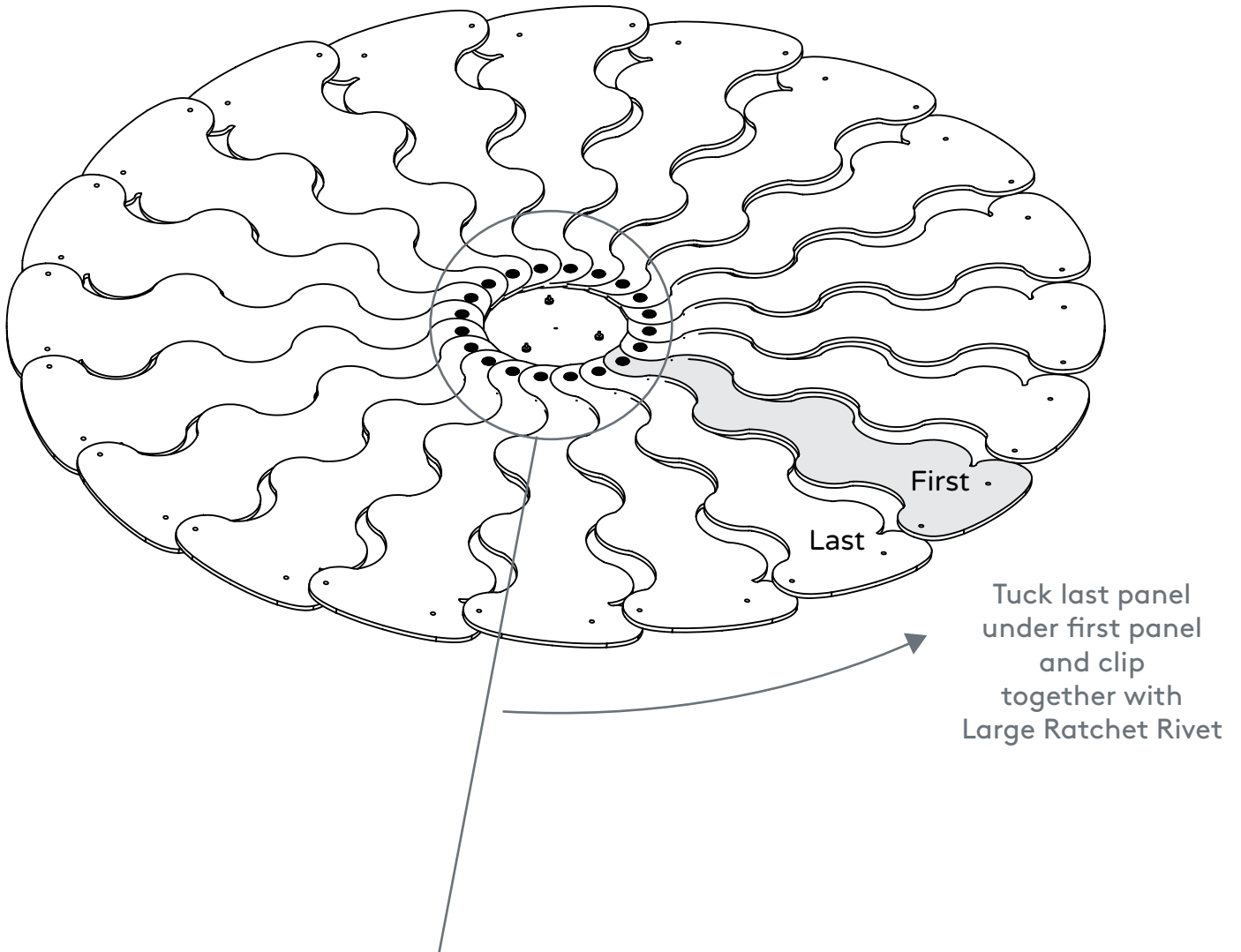
Large Ratchet Rivet (19mm) x 20



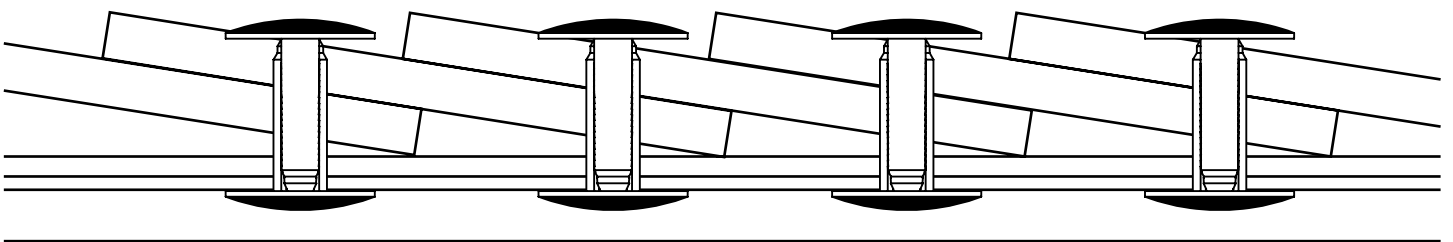
NOTE: Do not put ratchet rivet on first panel until all panels have been clipped on.

Proceed Anti Clockwise

Step 4 - Top Panel to Side Panel Assembly Continued



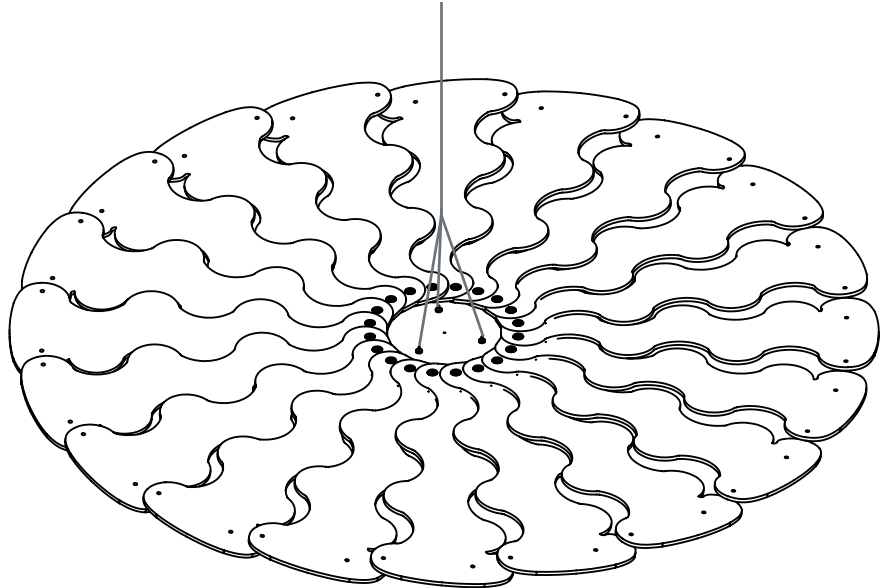
Cross Section Detail View of Top Panels overlapping.



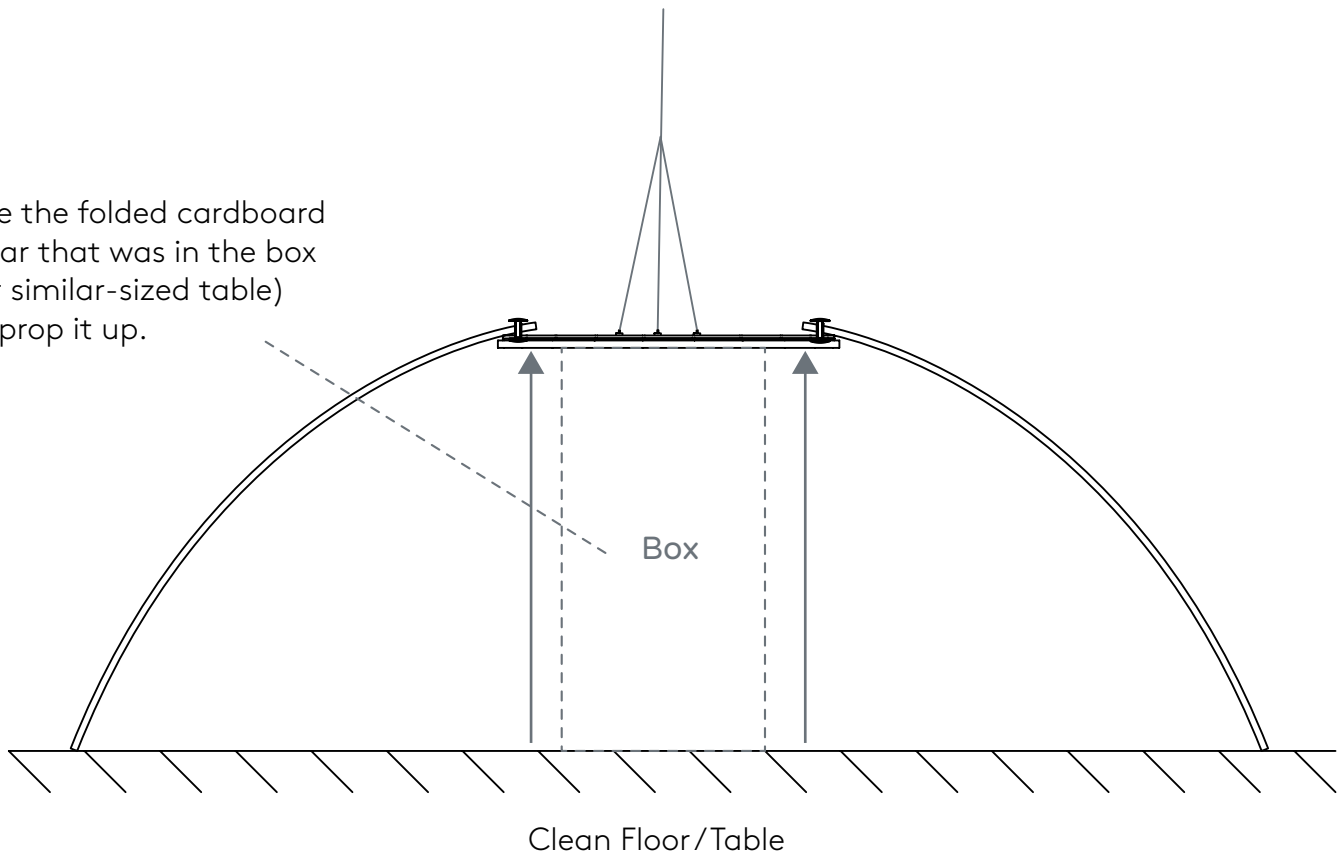
Step 5 - Lifting into shape

Use suspension cable to lift the Hush Round approximately 650mm (55 in) from the floor/surface.

The panels will begin to fall into their natural shape.

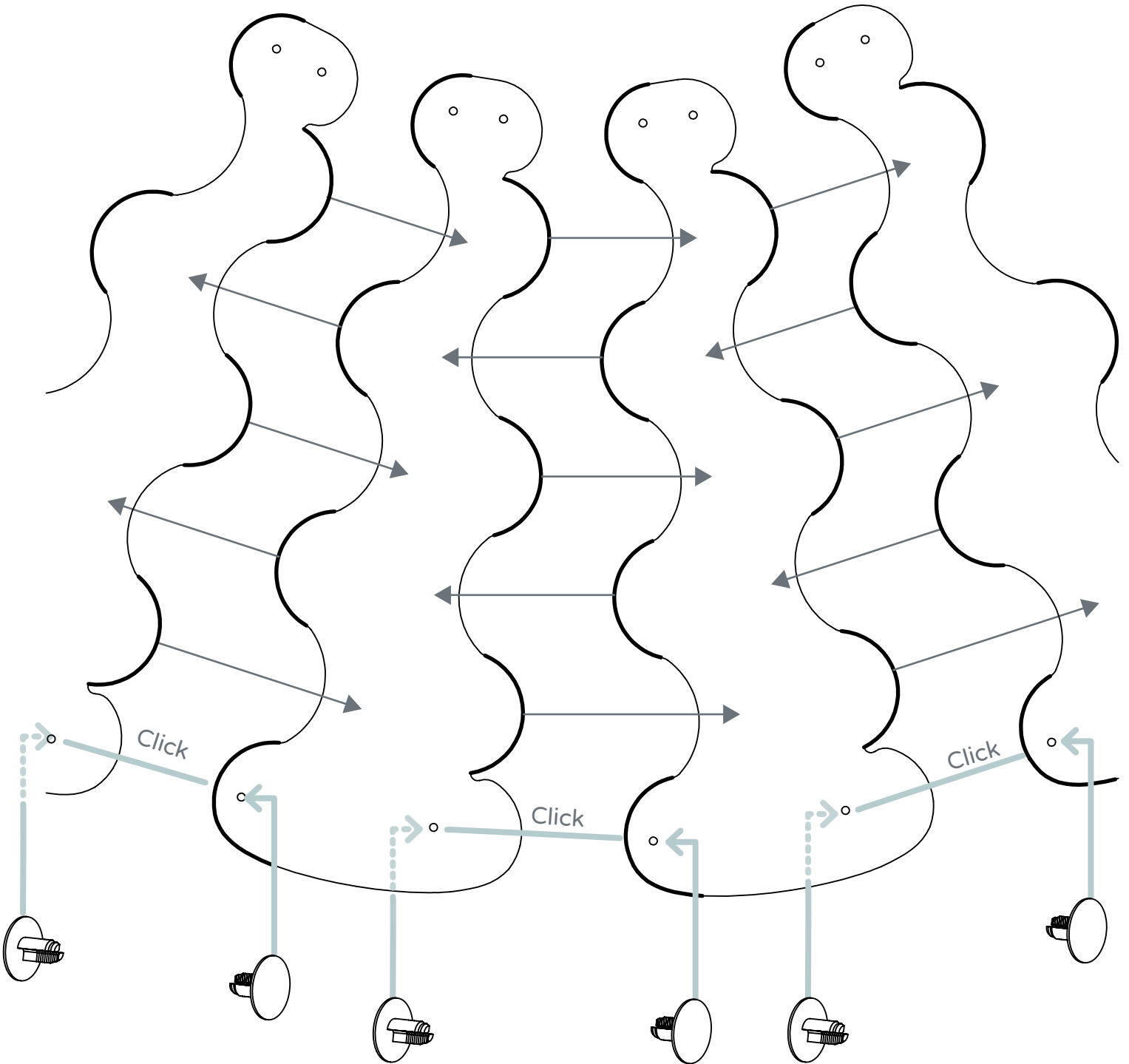


Use the folded cardboard pillar that was in the box (or similar-sized table) to prop it up.



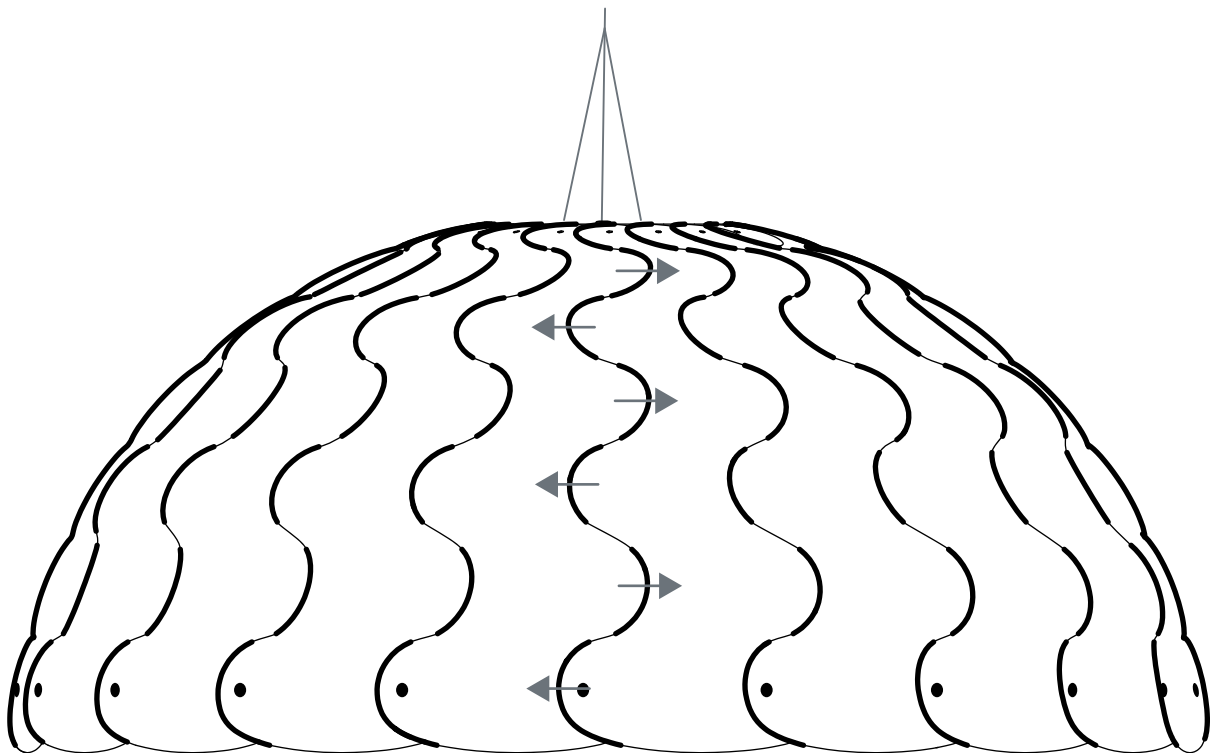
Step 6A - Weaving of Panels - Exploded Detail

Bold Lines indicate the 'Ear' that sits on the outside of the Hush Round.
This weaving pattern is essential to lock the shape together



Once two panels are woven together, use two of the shorter Ratchet Rivets (13 mm) to lock them together.

Step 6A - Weaving of Panels - Finished Detail



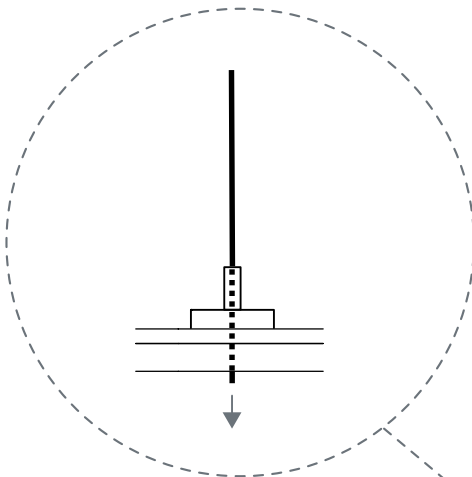
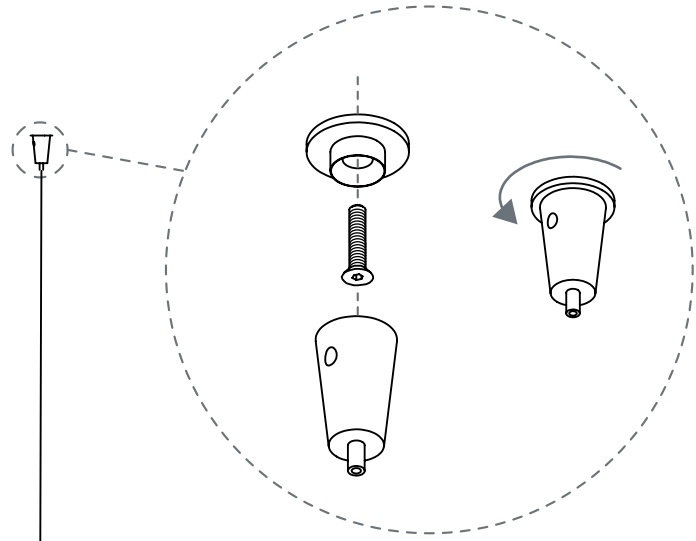
Bold Lines indicate the 'Ear' that sits on the outside of the Hush Round.
This weaving pattern is essential to lock the shape together

Step 7 - Height Adjustment and Levelling

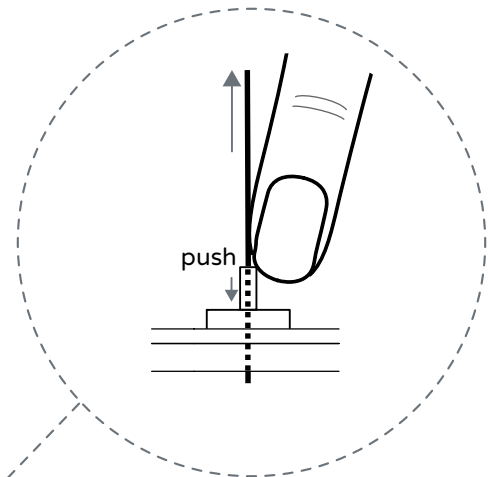
Ceiling Mounting Point.

If installing into wood use a countersunk timber screw (not supplied) to affix cone grip to ceiling.

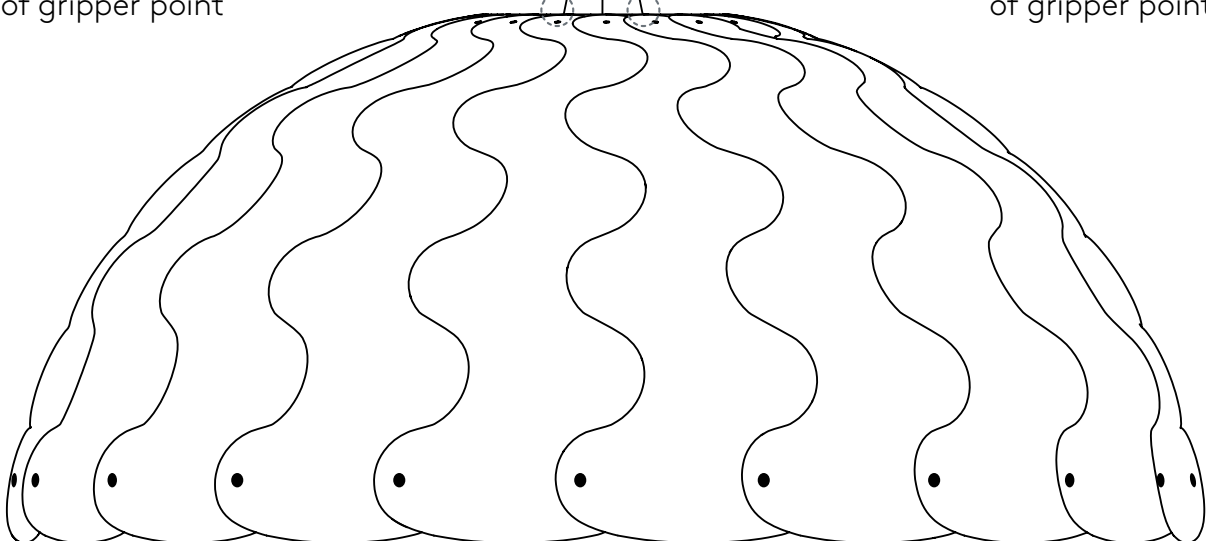
If installing into concrete use countersunk anchor bolt (not supplied) to affix cone grip to ceiling.



To shorten wire:
Pull cable through hole
in side of gripper point



To lengthen wire:
Depress cylinder at top
of gripper point and pull
wire out



Appendix 1: Top Panel Sub Assembly

