

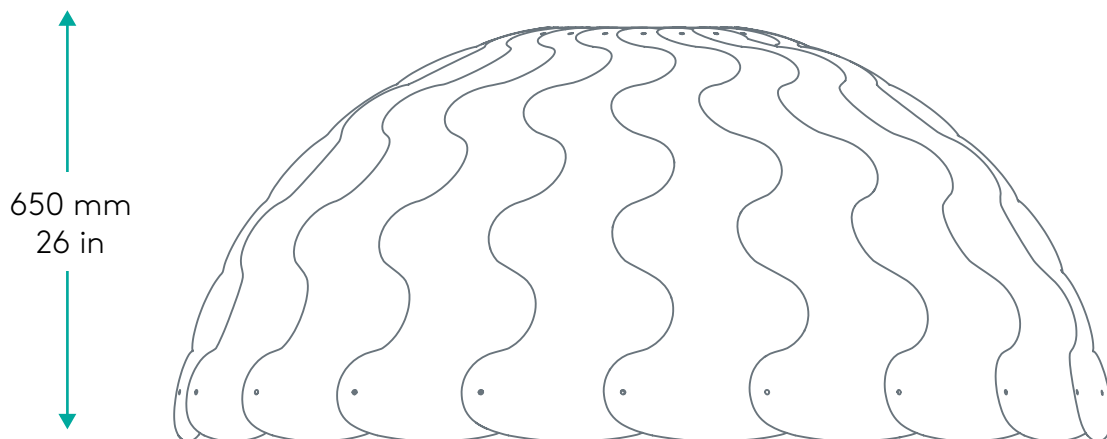
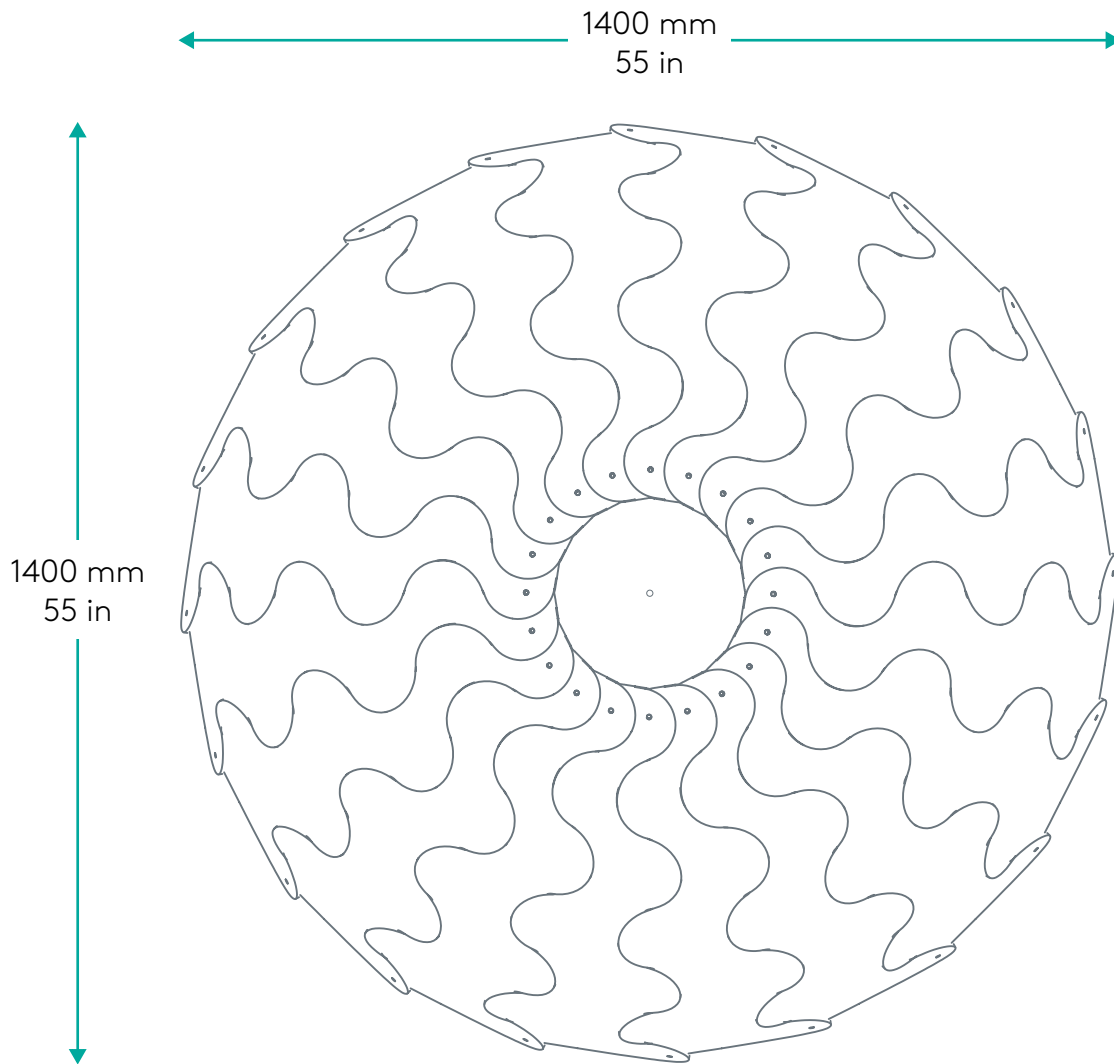
# HUSH ROUND

by David Trubridge Ltd.



A PLN Group Brand

Overall Dimensions - Model: 1017D (E26)



# HUSH ROUND

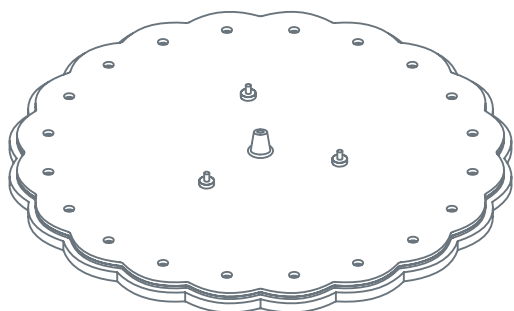
by David Trubridge Ltd.



A PLN Group Brand

## Contents (not to scale)

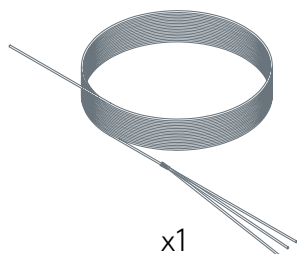
Please double check all components are present and quantities are correct before beginning assembly



x1  
Top Panel Assembly  
(Power cable not shown)



x20  
Tapered  
Felt Panels



x1  
2.1m cable  
(82 in)



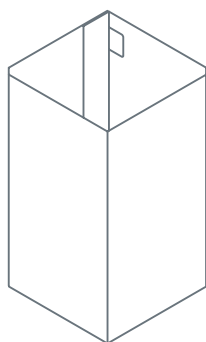
x40 (+5)  
Small Ratchet Rivets  
(13mm / .5 in)



x40 (+5)  
Large Ratchet Rivets  
(19mm / .74 in)



x1  
Cone Gripper  
with Base



x2  
Folded  
Cardboard  
Pillars

# HUSH ROUND

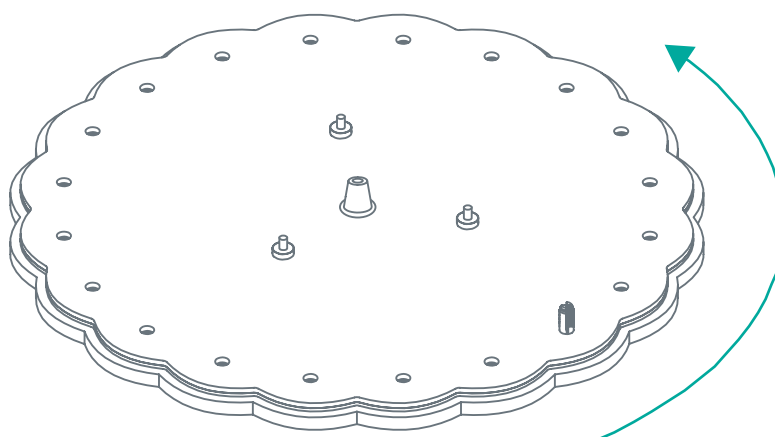
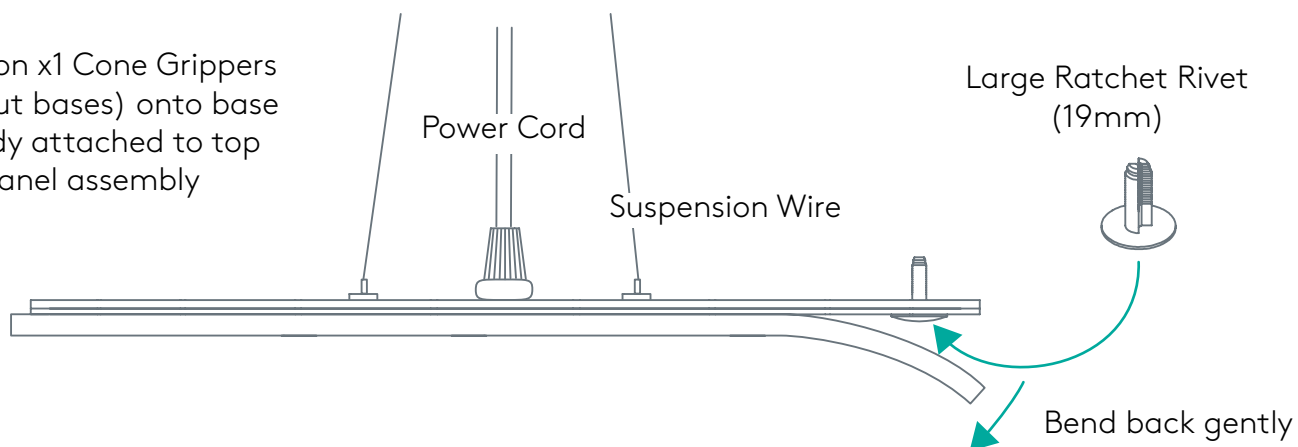
by David Trubridge Ltd.



A PLN Group Brand

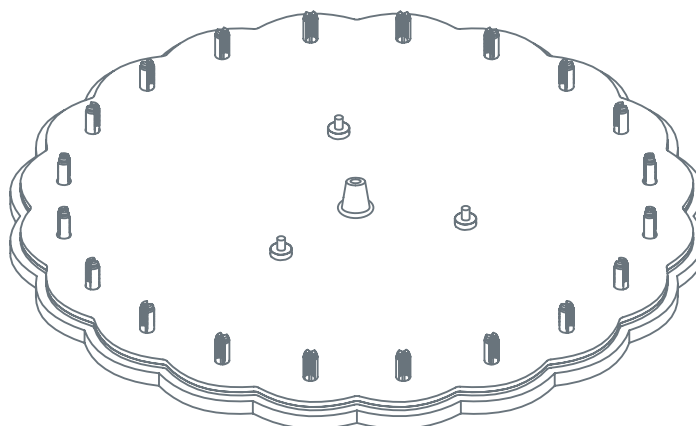
## Step 1 - Top Panel Ratchet Rivet Assembly

Screw on x1 Cone Grippers (without bases) onto base already attached to top panel assembly



Insert Large Ratchet Rivets (19mm) in all holes around edge.

(power cord and suspension wires not shown)



# HUSH ROUND

by David Trubridge Ltd.

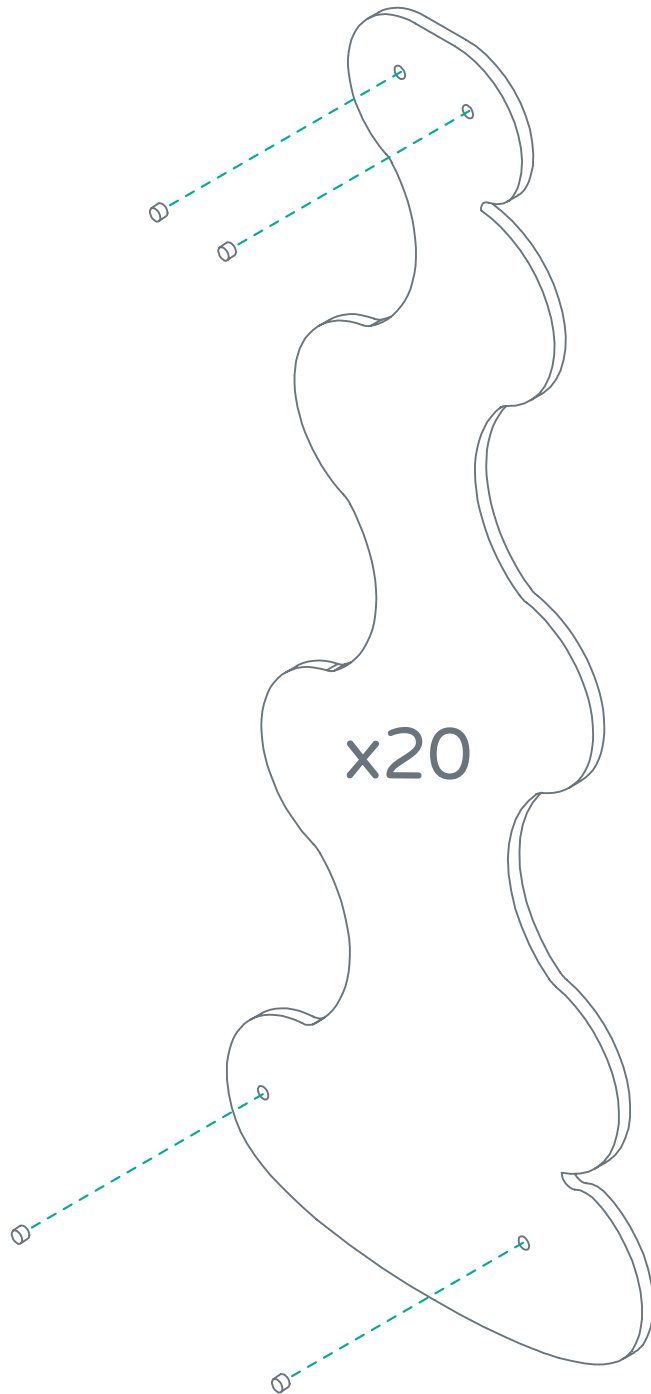


A PLN Group Brand

---

## Step 2 - Pop out side panel plugs

---



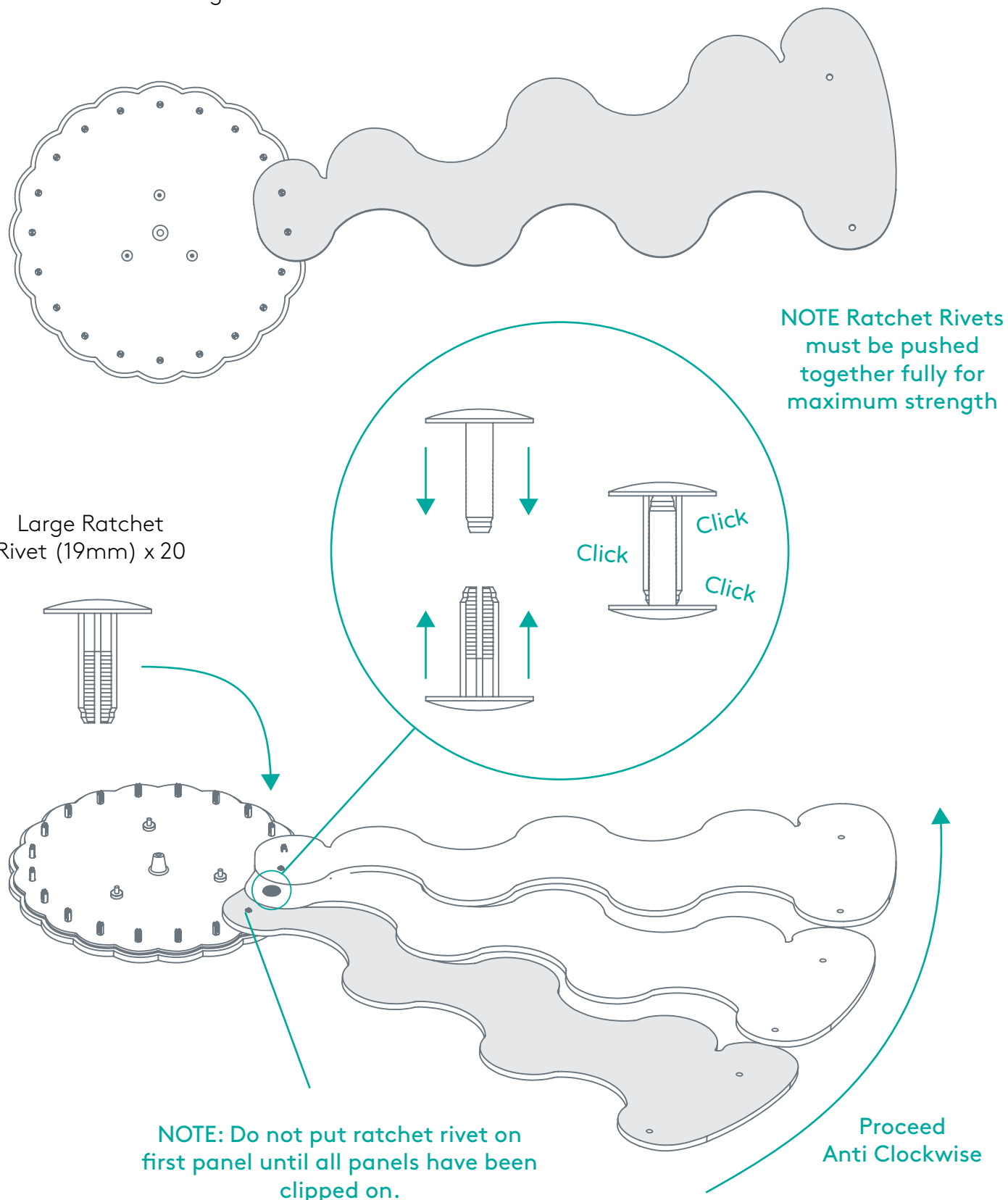
Push out the 4 plugs per panel to make way for the plastic clips.

# HUSH ROUND

by David Trubridge Ltd.

## Step 3 - Top Panel to Side Panel Assembly

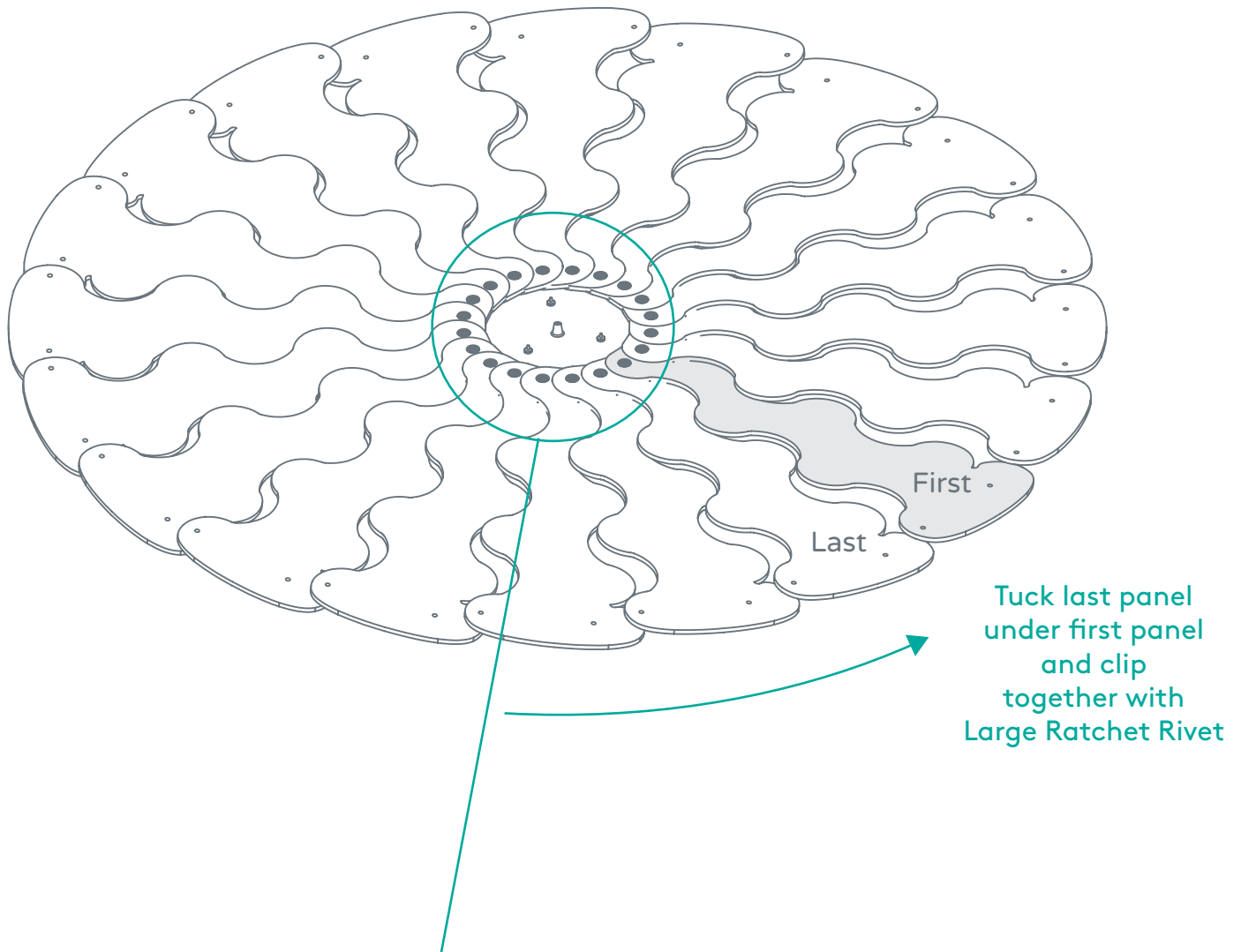
Assemble on a large clean surface or on floor.



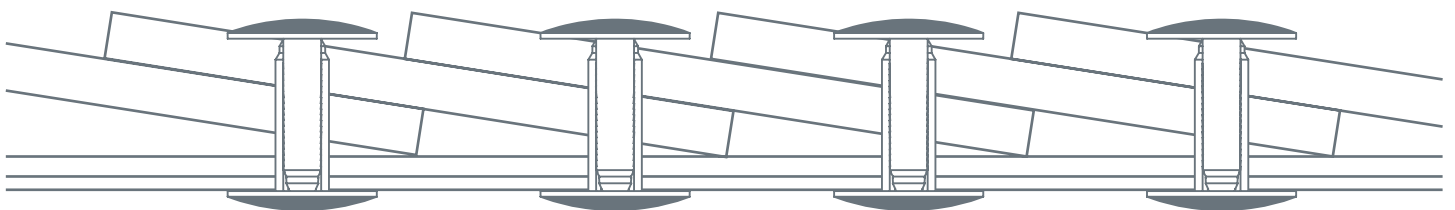
# HUSH ROUND

by David Trubridge Ltd.

## Step 4 - Top Panel to Side Panel Assembly Continued



Cross Section Detail View of Top Panels overlapping.



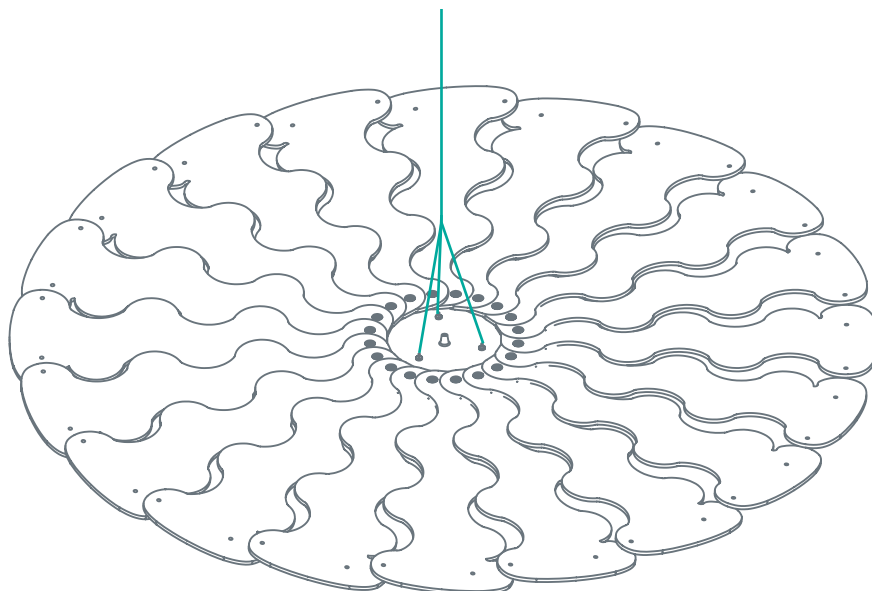
# HUSH ROUND

by David Trubridge Ltd.

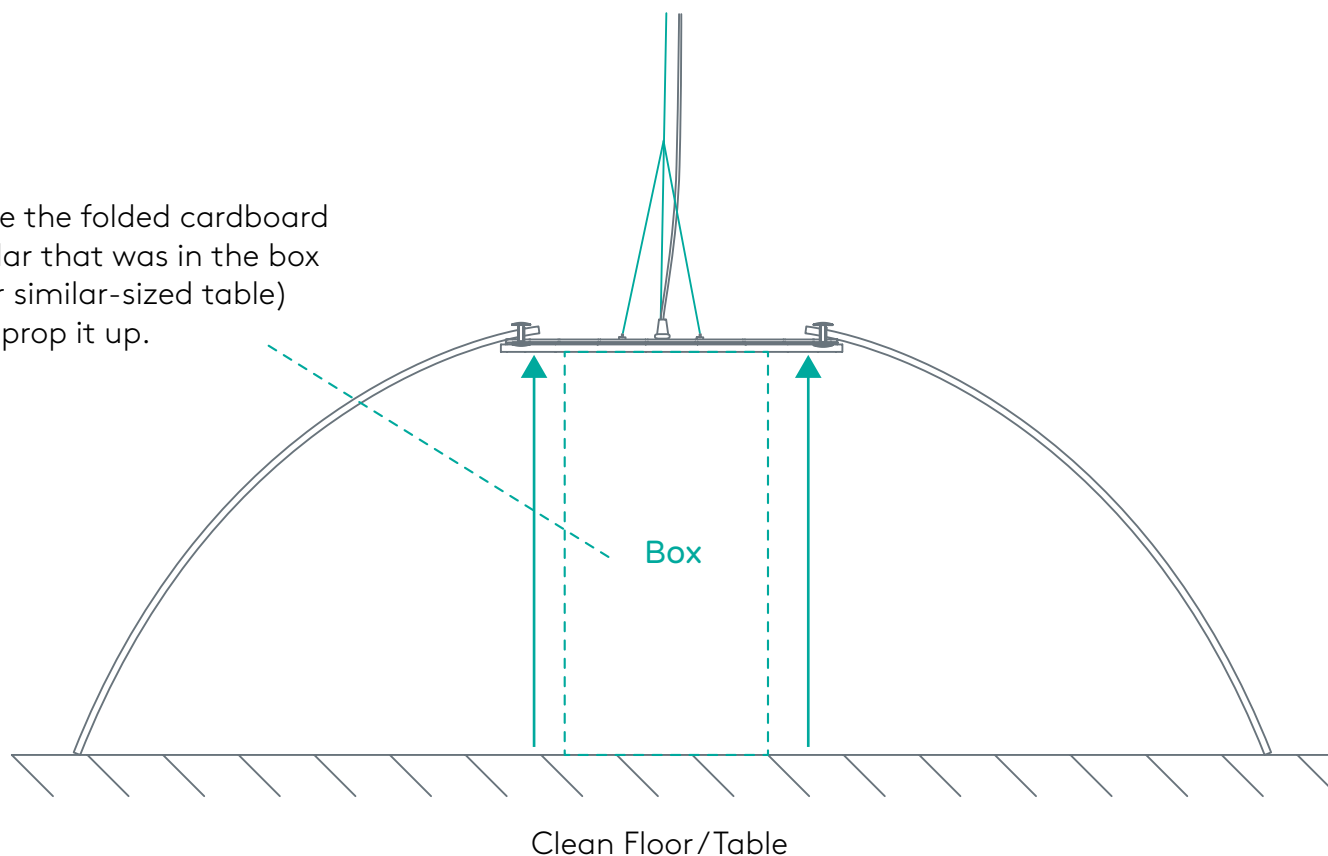
## Step 5 - Lifting into shape

Use suspension cable to lift the Hush Round approximately 650 mm (26 in) from the floor/surface.

The panels will begin to fall into their natural shape.



Use the folded cardboard pillar that was in the box (or similar-sized table) to prop it up.



## Step 6A - Weaving of Panels - Exploded Detail

Bold Lines indicate the 'Ear' that sits on the outside of the Hush Round.  
This weaving pattern is essential to lock the shape together



Once two panels are woven together, use two of the shorter Ratchet Rivets (13 mm) to lock them together.



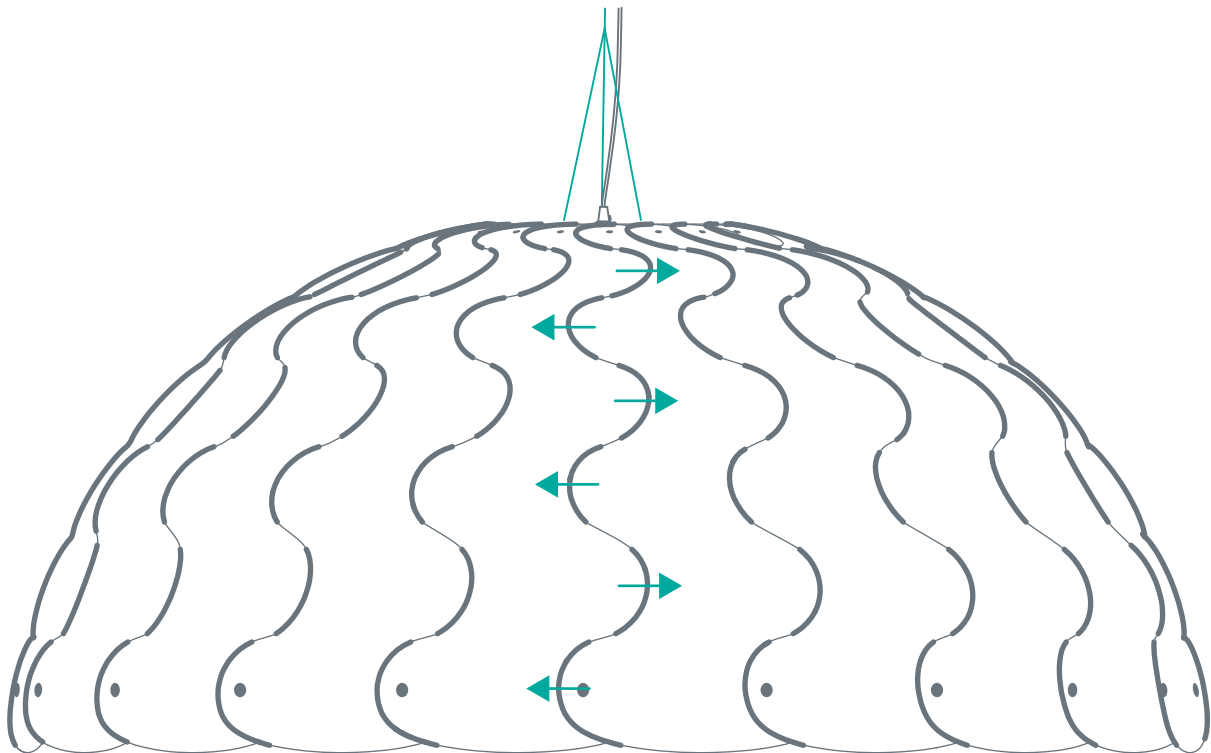
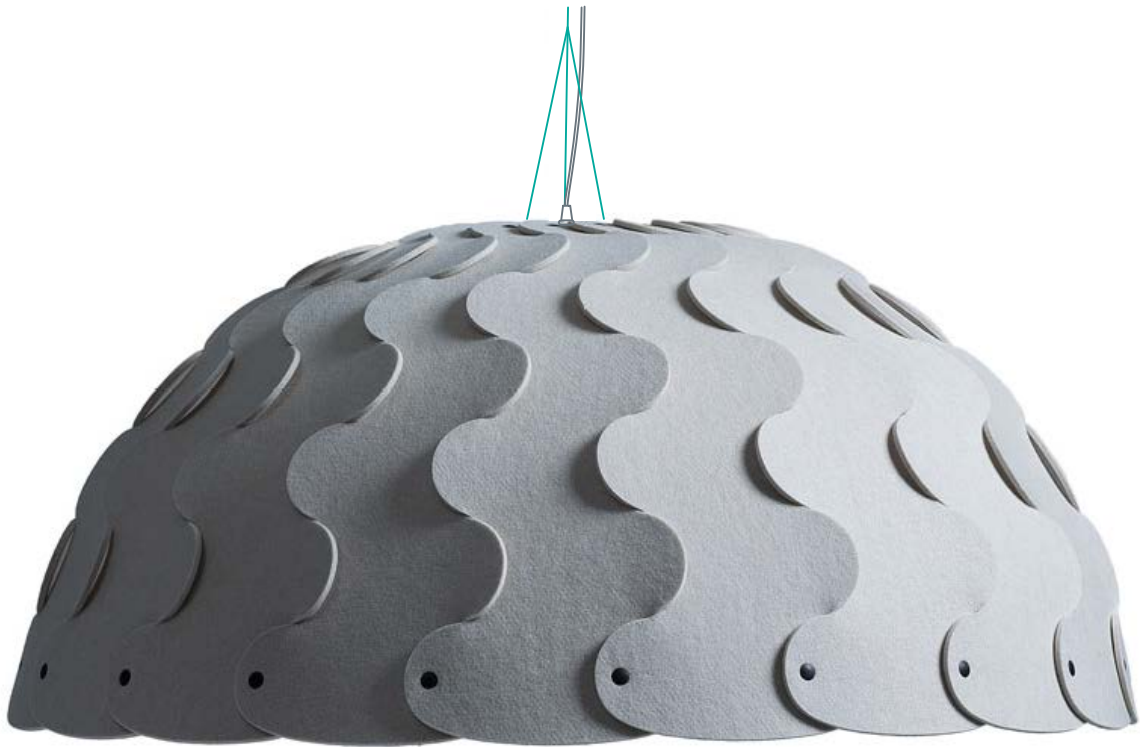
# HUSH ROUND

by David Trubridge Ltd.

---

## Step 6A - Weaving of Panels - Finished Detail

---



Bold Lines indicate the 'Ear' that sits on the outside of the Hush Round.  
This weaving pattern is essential to lock the shape together

# HUSH ROUND

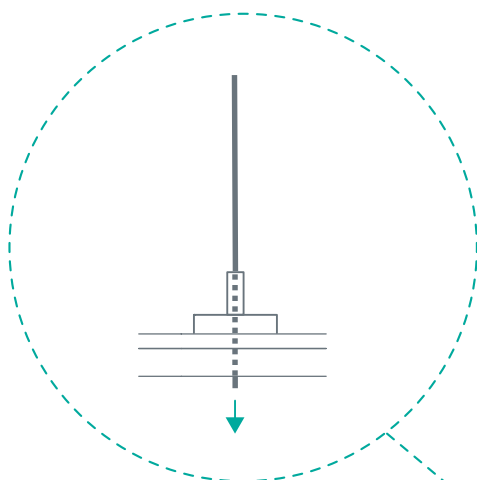
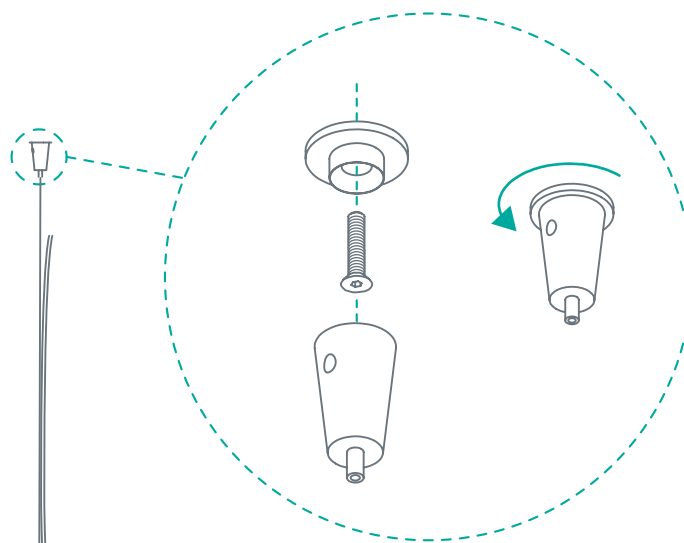
by David Trubridge Ltd.

## Step 7 - Height Adjustment and Levelling

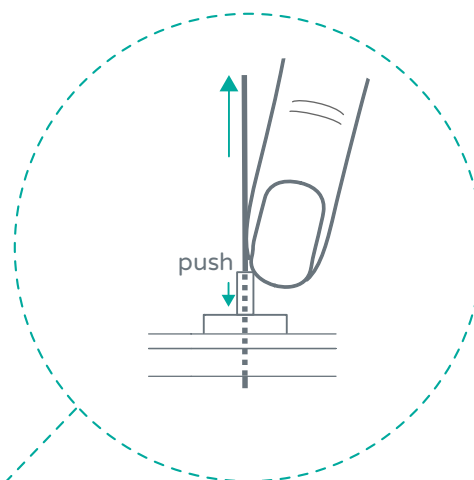
### Ceiling Mounting Point.

If installing into wood use a countersunk timber screw (not supplied) to affix cone grip to ceiling.

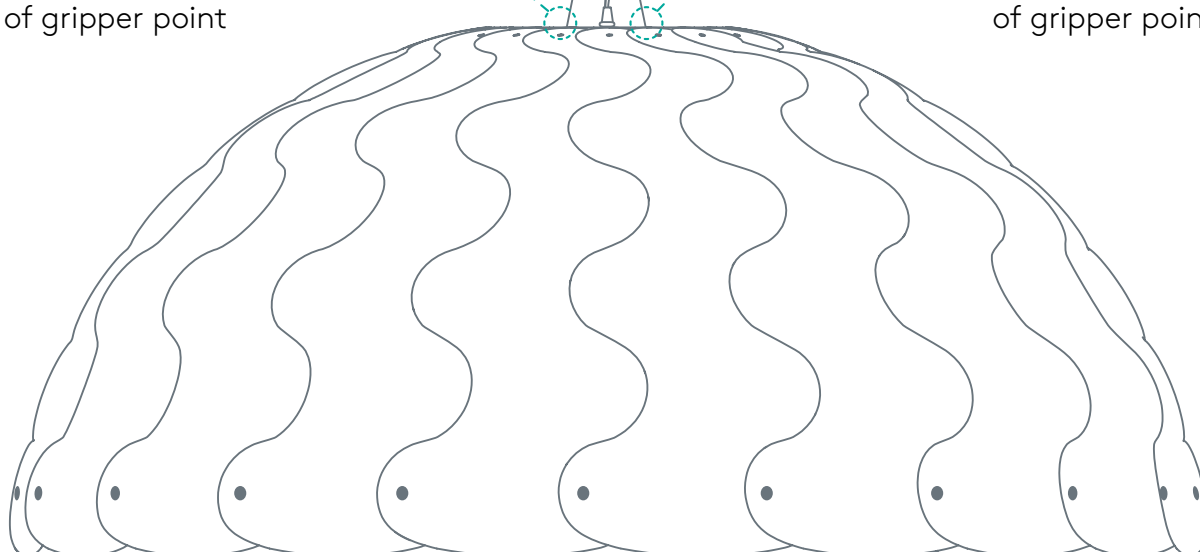
If installing into concrete use countersunk anchor bolt (not supplied) to affix cone grip to ceiling.



To shorten wire:  
Pull cable through hole  
in side of gripper point



To lengthen wire:  
Depress cylinder at top  
of gripper point and pull  
wire out

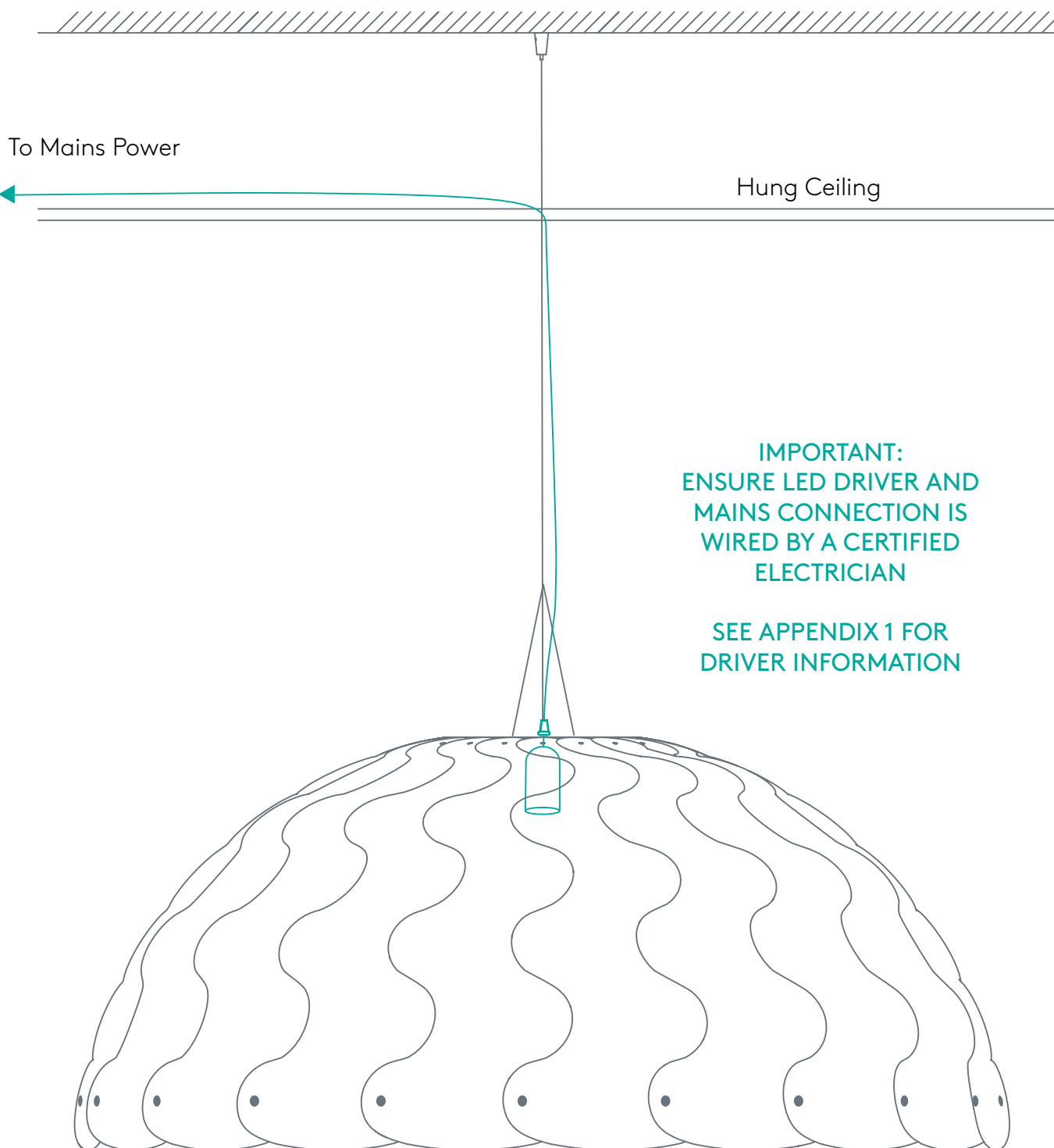


# HUSH ROUND

by David Trubridge Ltd.

## Step 8 - Electrics with Hanging Ceiling

Concrete



**IMPORTANT:  
ENSURE LED DRIVER AND  
MAINS CONNECTION IS  
WIRED BY A CERTIFIED  
ELECTRICIAN**

**SEE APPENDIX 1 FOR  
DRIVER INFORMATION**

# HUSH ROUND

by David Trubridge Ltd.

## Appendix 1: Top Panel Sub Assembly

