

PLN GROUP



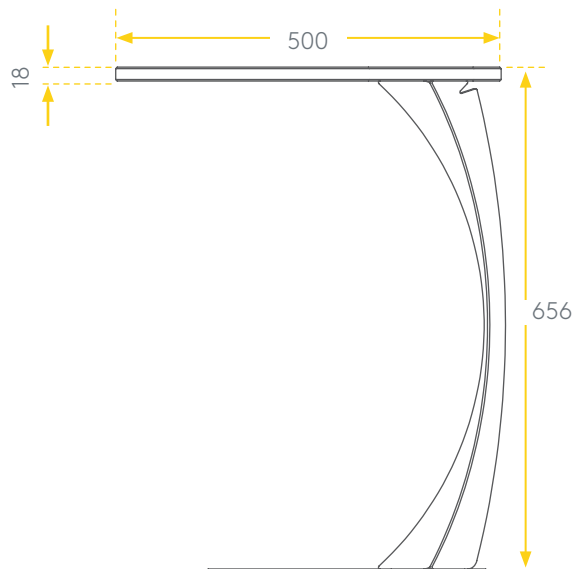
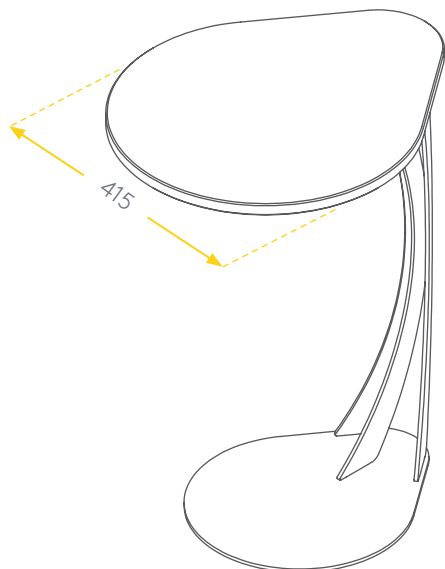
ENTERPRISE

Designed by IQ Commercial

ENTERPRISE TABLE

Designed by IQ COMMERCIAL

PLN GROUP



Dimensions

500L x 415W x 656H

About

Enterprise is a versatile laptop or side or table for the agile office. Designed as a temporary worktop or touchdown point, it is the perfect spot to rest a laptop, coffee or to take notes.

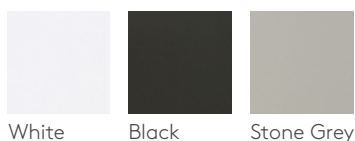
The sturdy, cantilevered design is easily maneuvered to stand on its own or to be nested together in a group for collaborative work. The organically-shaped, contoured tops can be placed in a group of five to form a larger worktop area. Bag hook for extra functionality.



Specifications

- Worktop is 18mm Futura HPL. Available in three standard colours: White, Black, and Stone Grey.
- Base is powdercoated steel. Available in any standard powdercoat colour.
- Weight: 10.5 kg

WORKTOP COLOURS



Designed and made in New Zealand.