

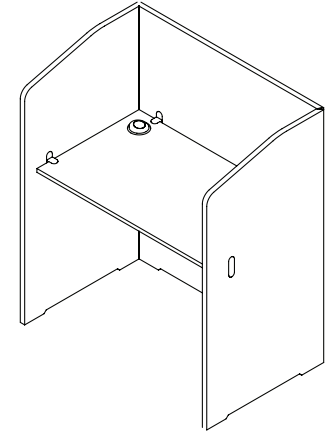
# ORDER SHEET

# PLN GROUP

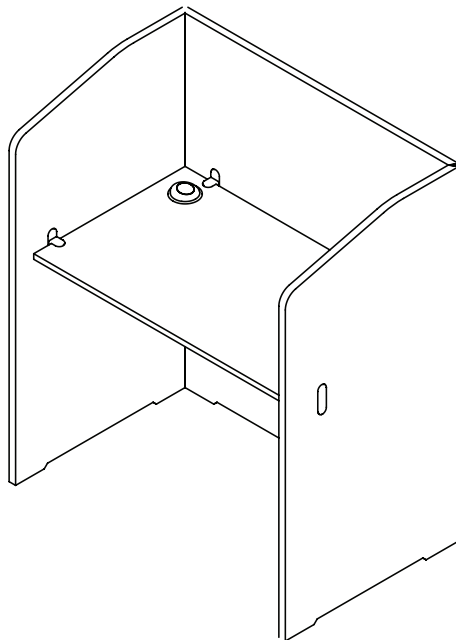
This sheet is to be printed, scanned and attached to the relevant PO for PLN Group

**CLIENT/PROJECT NAME:** \_\_\_\_\_

Please fill in the below information specification i.e. fabric orientation, power/data options etc.  
Only fully detailed sheets, signed and dated will be accepted by PLN Group.  
Fabric detail will default to the seat fabric if not specified.



## CUBE POD - SITTING



### QUANTITY

Specify the quantity of pods: \_\_\_\_\_

### COLOUR OF MATERIAL

Standard in Flatiron

Premium Colour:

(specify colour): \_\_\_\_\_

### TABLE OPTIONS: (If none, please fill in NA for the below items).

80mm Cable Port:

80mm Raw plywood Hole:

80mm Pixel GPO/USB

(specify black or white): \_\_\_\_\_

Specify country for power sockets: \_\_\_\_\_

Please tick the appropriate box

NAME: \_\_\_\_\_ SIGNATURE: \_\_\_\_\_ DATE: \_\_\_\_\_

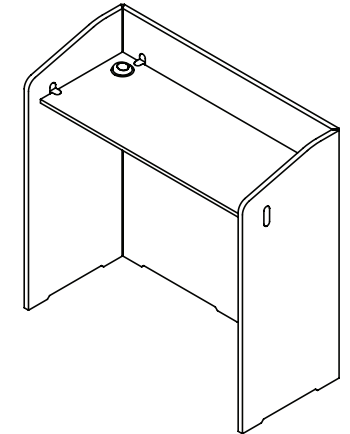
# ORDER SHEET

# PLN GROUP

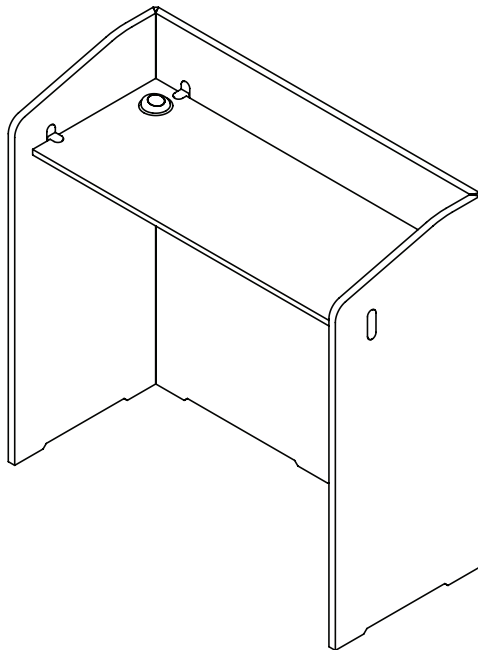
This sheet is to be printed, scanned and attached to the relevant PO for PLN Group

**CLIENT/PROJECT NAME:** \_\_\_\_\_

Please fill in the below information specification i.e. fabric orientation, power/data options etc.  
Only fully detailed sheets, signed and dated will be accepted by PLN Group.  
Fabric detail will default to the seat fabric if not specified.



## CUBE POD - STANDING



### QUANTITY

Specify the quantity of pods: \_\_\_\_\_

### COLOUR OF MATERIAL

Standard in Flatiron

Premium Colour:

(specify colour): \_\_\_\_\_

### TABLE OPTIONS: (If none, please fill in NA for the below items).

80mm Cable Port:

80mm Raw plywood Hole:

80mm Pixel GPO/USB

(specify black or white): \_\_\_\_\_

Specify country for power sockets: \_\_\_\_\_

Please tick the appropriate box

NAME: \_\_\_\_\_ SIGNATURE: \_\_\_\_\_ DATE: \_\_\_\_\_