

pln.



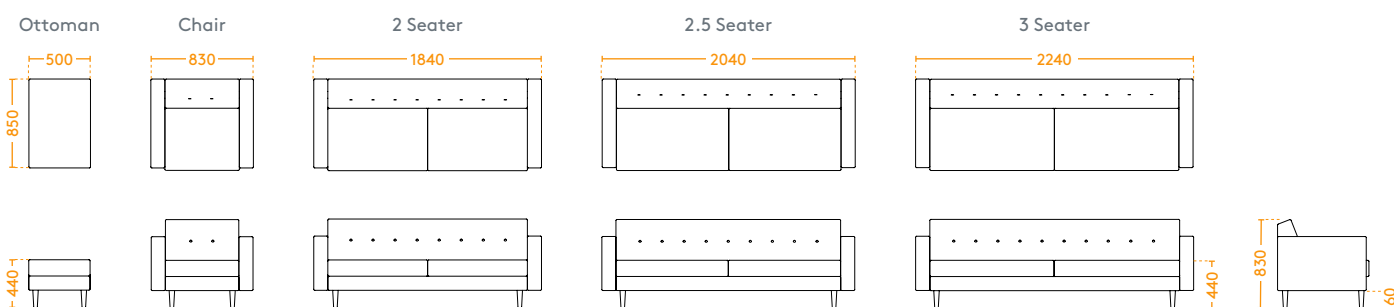
# CHESTER SOFA

Designed by GT Designs

# CHESTER SOFA

Designed by GT Designs

pln.



## About

The Chester sofa is a contemporary, slim-line sofa with a nod to the retro aesthetic of the 1950s. Inspired by, and named after, the designer Garth Chester, who was considered by many to be New Zealand's Ray and Charles Eames.

## Dimensions &

## Fabric Meterage

2 Seater:	1840L x 830H x 850D	7.1m
2.5 Seater:	2040L x 830H x 850D	8m
3 Seater:	2240L x 830H x 850D	8.5m
Chair:	830L x 830H x 850D	4.5m
Ottoman:	500L x 470H x 850D	3m

## Options

- Available in three sizes, a 2, 2.5, 3 seater, chair, ottoman and sofabed.
- Fully customizable. Available with or without arms, or as a corner unit.
- Tapered wooden legs in natural or dark stain.
- Available in a variety of fabrics.

## Features

- Fixed back with button detail.
- Luxury foam seat cushions.
- Superior construction, solid pine frame means greater durability and long life of sofa.
- 10 year warranty on the frame.
- 5 year warranty on workmanship and cushioning.

Designed and made in New Zealand.