

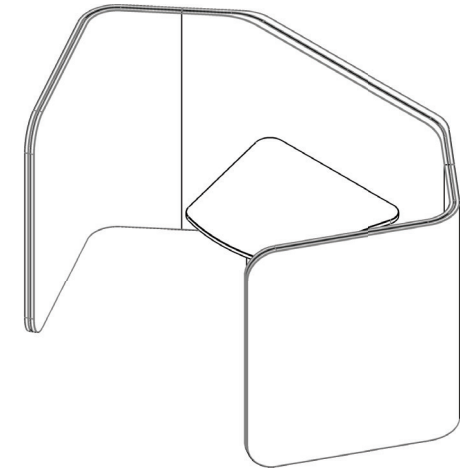
# ORDER SHEET

# PLN GROUP

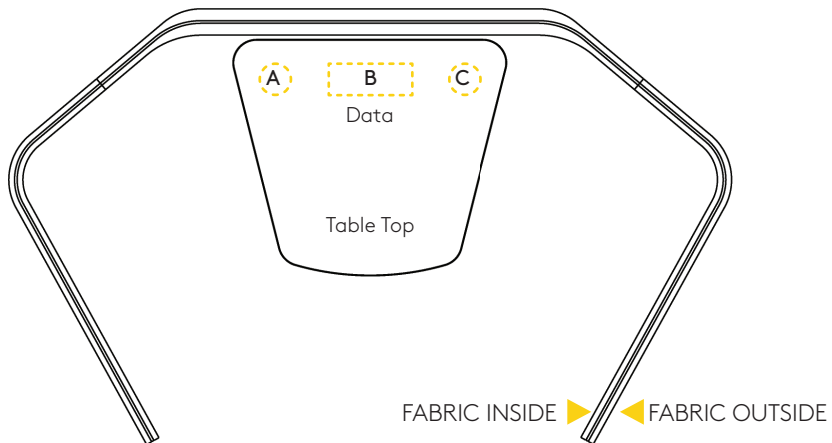
This sheet is to be printed, scanned and attached to the relevant PO for PLN Group

**CLIENT / PROJECT NAME:** \_\_\_\_\_

Please fill in the below information specification i.e. fabric orientation, power/data options etc.  
Only fully detailed sheets, signed and dated will be accepted by PLN Group.



## SCRUM TOUCH



### QUANTITY

Specify the quantity of pods: \_\_\_\_\_

### FABRIC:

Fabric Outside (name, colour and code): \_\_\_\_\_

Fabric Inside (name, colour and code): \_\_\_\_\_

### TABLE:

Specify table-top finish: \_\_\_\_\_

Specify leg colour (Standard is Ash): \_\_\_\_\_

**POWER:** (If none, please fill in NA for the below items).

Specify Pixel (black or white or Affinity): \_\_\_\_\_

Choose location (A, C for Pixel or B for Affinity): \_\_\_\_\_

Specify country for power sockets: \_\_\_\_\_

Specify TV bracket (if applicable): \_\_\_\_\_

NAME: \_\_\_\_\_ SIGNATURE: \_\_\_\_\_ DATE: \_\_\_\_\_