

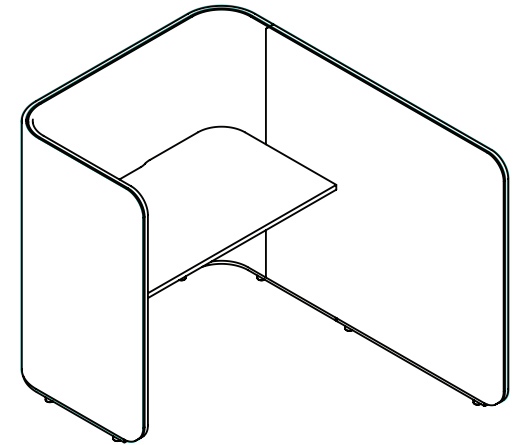
ORDER SHEET

PLN GROUP

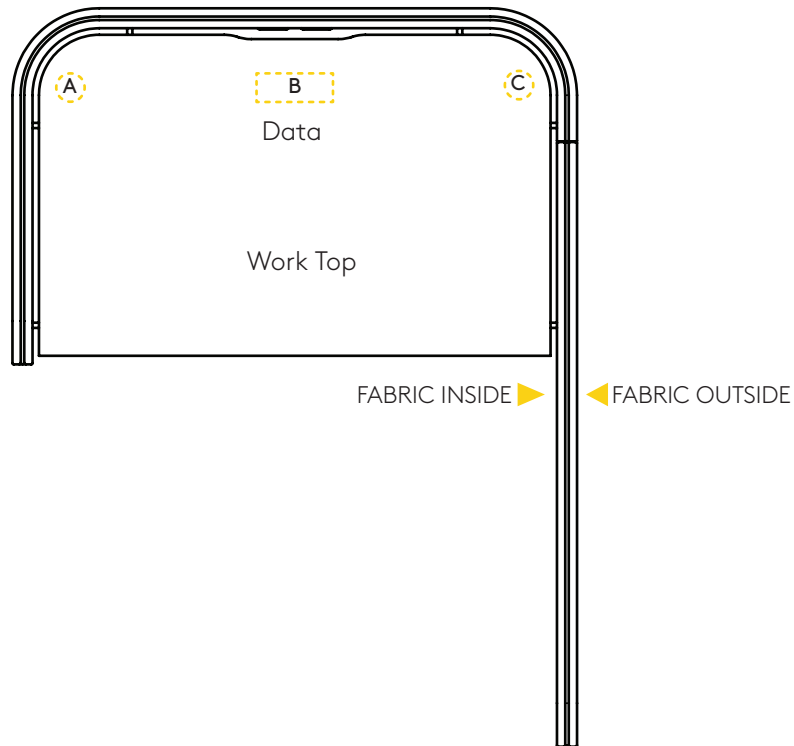
This sheet is to be printed, scanned and attached to the relevant PO for PLN Group

CLIENT / PROJECT NAME: _____

Please fill in the below information specification i.e. fabric orientation, power/data options etc.
Only fully detailed sheets, signed and dated will be accepted by PLN Group.



LONG TAIL FOCUS POD: LEFT HAND



QUANTITY

Specify the quantity of pods: _____

FABRIC:

Fabric Outside (name, colour and code): _____

Fabric Inside (name, colour and code): _____

TABLE:

Specify table-top finish: _____

POWER: (If none, please fill in NA for the below items).

Specify Pixel (black or white or Affinity): _____

Choose location (A or C for Pixel or B for Affinity): _____

Specify country for power sockets: _____

NAME: _____ SIGNATURE: _____ DATE: _____