

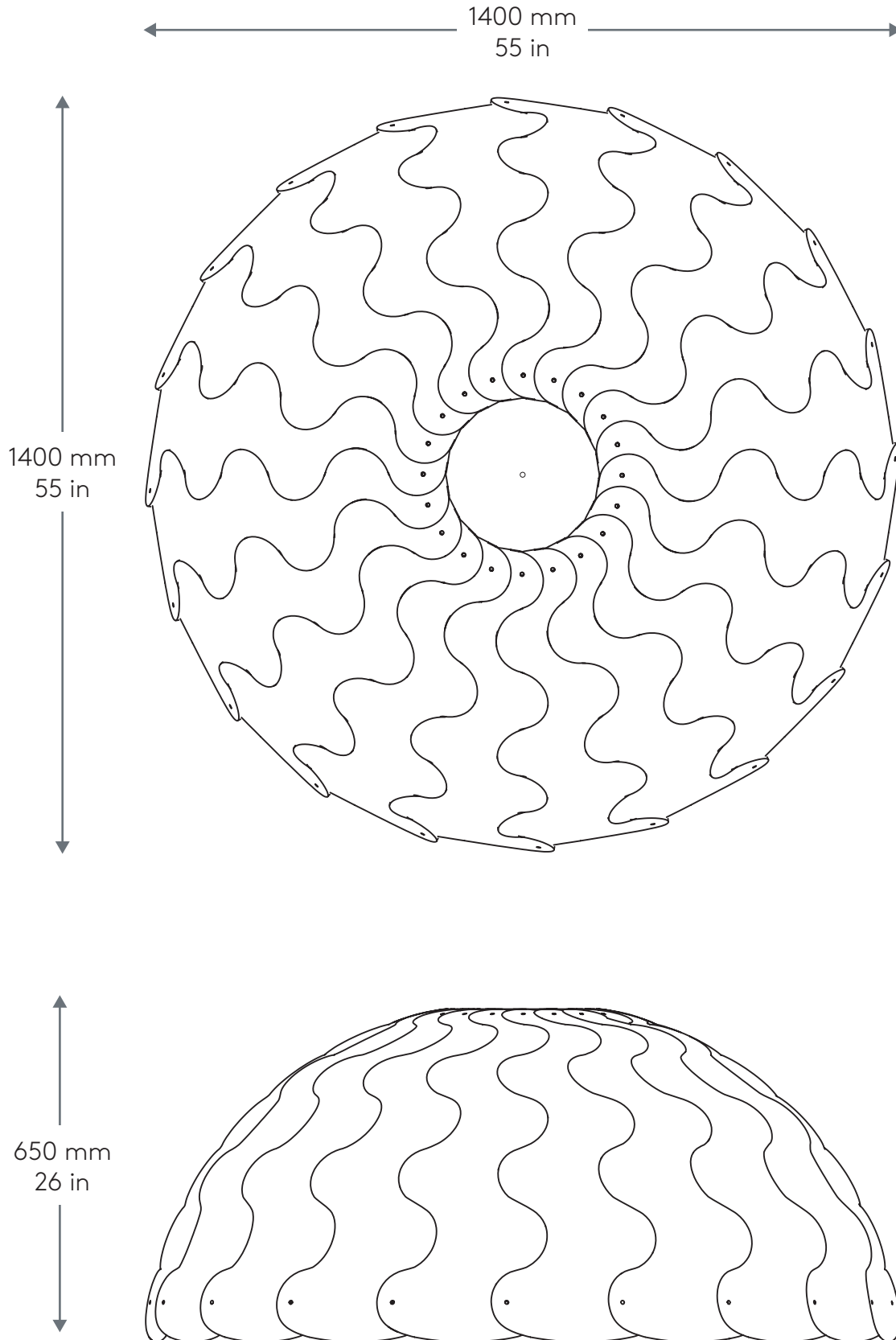
HUSH ROUND HOOD

Designed by David Trubridge

(1017-C)

pln.

Overall Dimensions - Model: 1017C (Hood)



HUSH ROUND HOOD

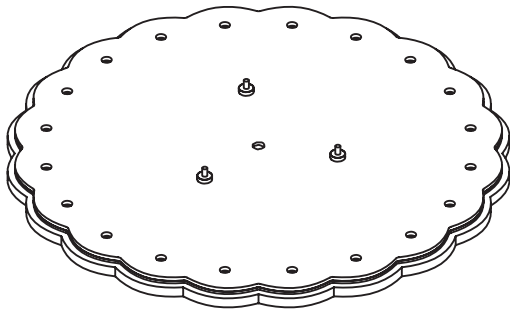
Designed by David Trubridge

(1017-C)

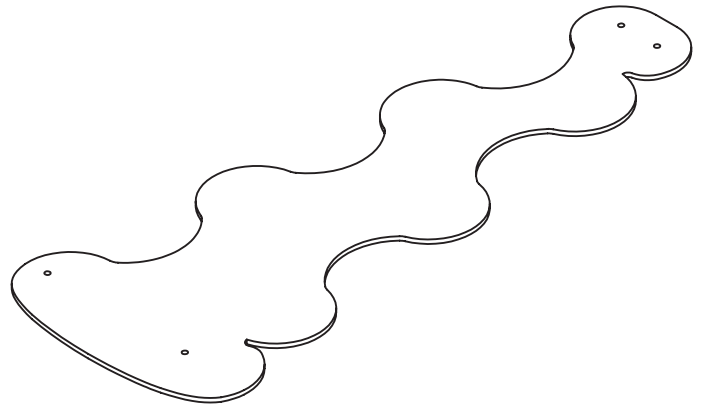
pln.

Contents (not to scale)

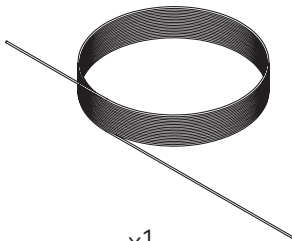
Please double check all components are present and quantities are correct before beginning assembly



x1
Top Panel Assembly



x20
Tapered Felt Panels



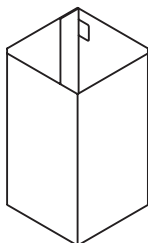
x1
Triple Swage Cable



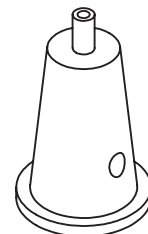
x40 (+5)
Small Ratchet Rivets
(13mm)



x40 (+5)
Large Ratchet Rivets
(19mm)



x1
Folded Cardboard
Pillars



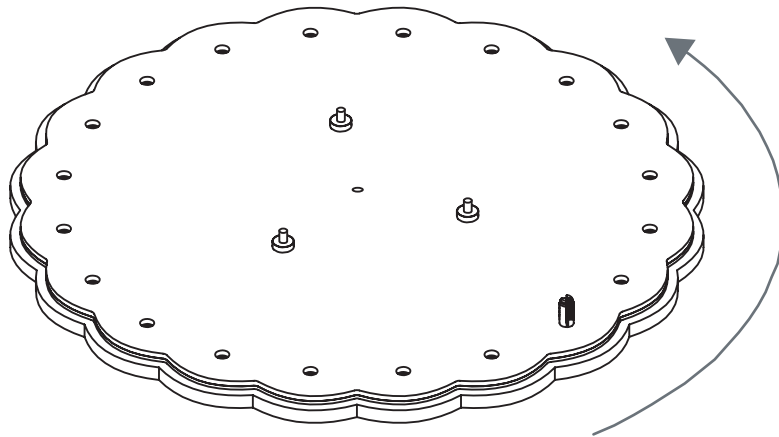
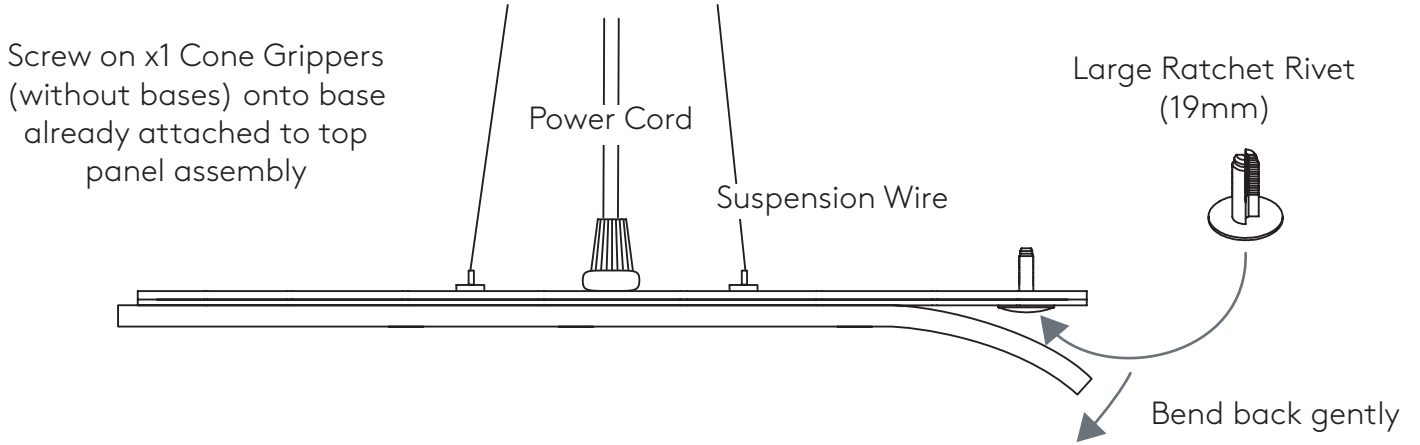
x1
Cone Gripper
with Base

HUSH ROUND HOOD

Designed by David Trubridge
(1017-C)

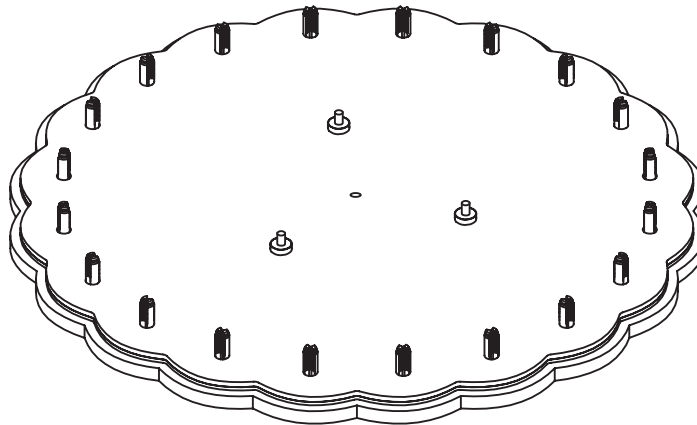


Step 1 - Top Panel Ratchet Rivet Assembly



Insert Large Ratchet Rivets (19mm) in all holes around edge.

(suspension wires not shown)



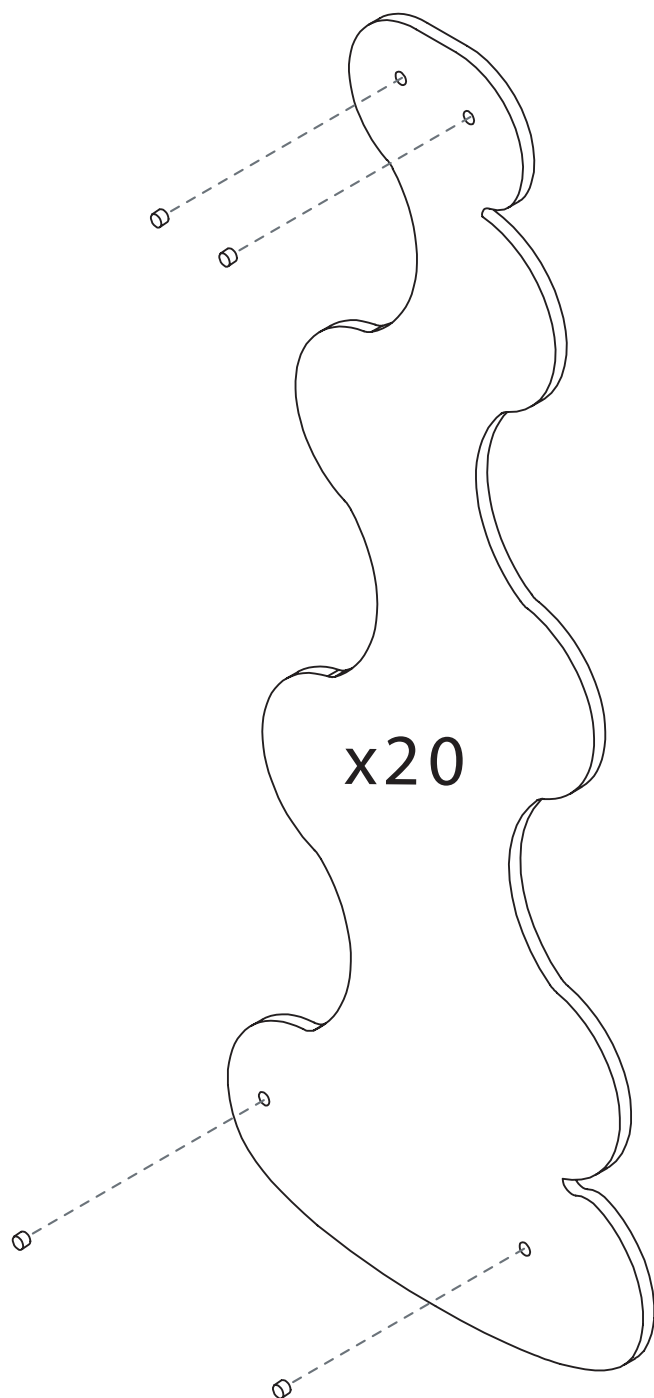
HUSH ROUND HOOD

Designed by David Trubridge

(1017-C)

pln.

Step 2 - Pop out side panel plugs



Push out the 4 plugs per panel to make way for the plastic clips.

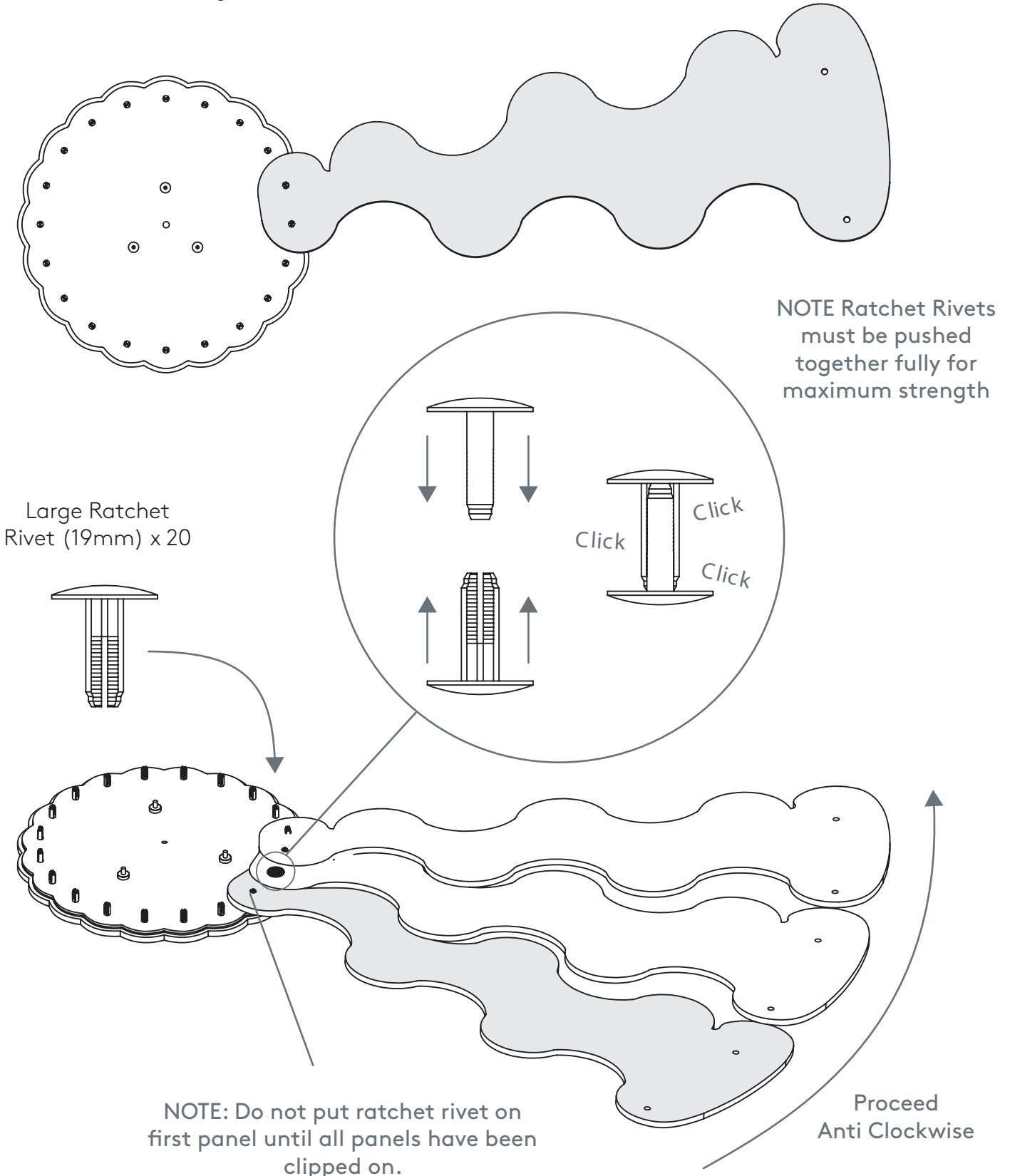
HUSH ROUND HOOD

Designed by David Trubridge
(1017-C)

pln.

Step 3 - Top Panel to Side Panel Assembly

Assemble on a large clean surface or on floor.

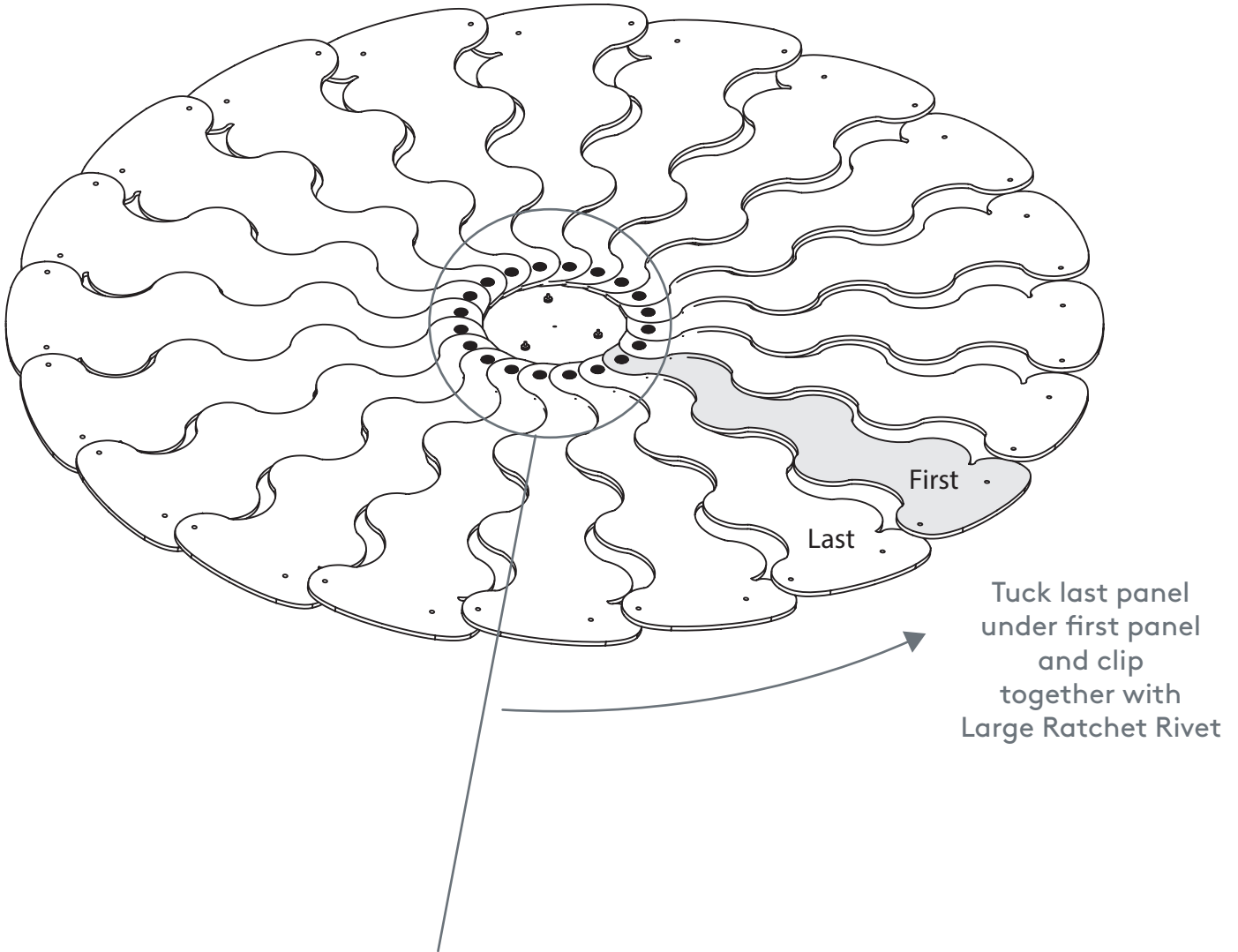


HUSH ROUND HOOD

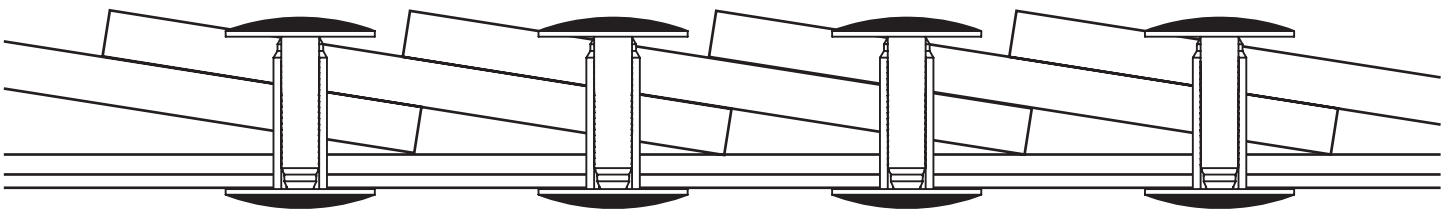
Designed by David Trubridge
(1017-C)



Step 4 - Top Panel to Side Panel Assembly Continued



Cross Section Detail View of Top Panels overlapping.



HUSH ROUND HOOD

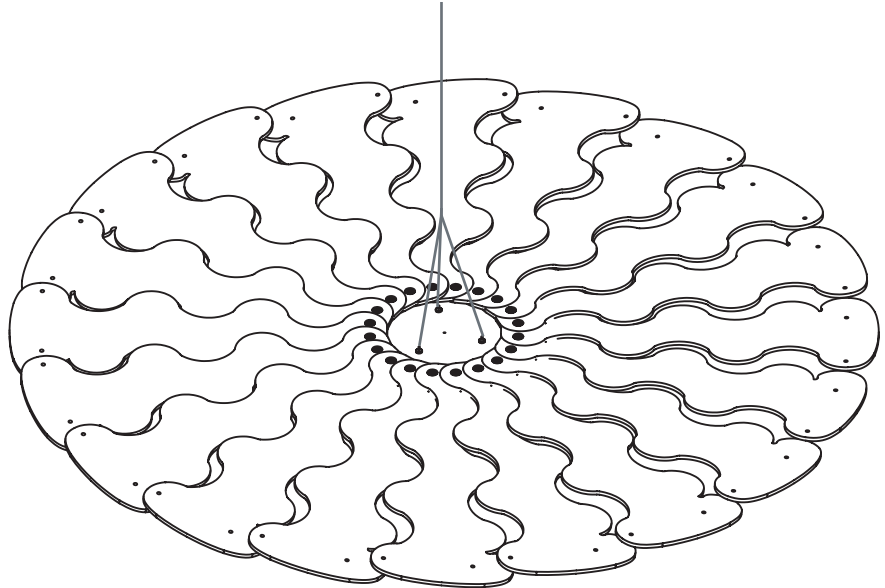
Designed by David Trubridge
(1017-C)

pln.

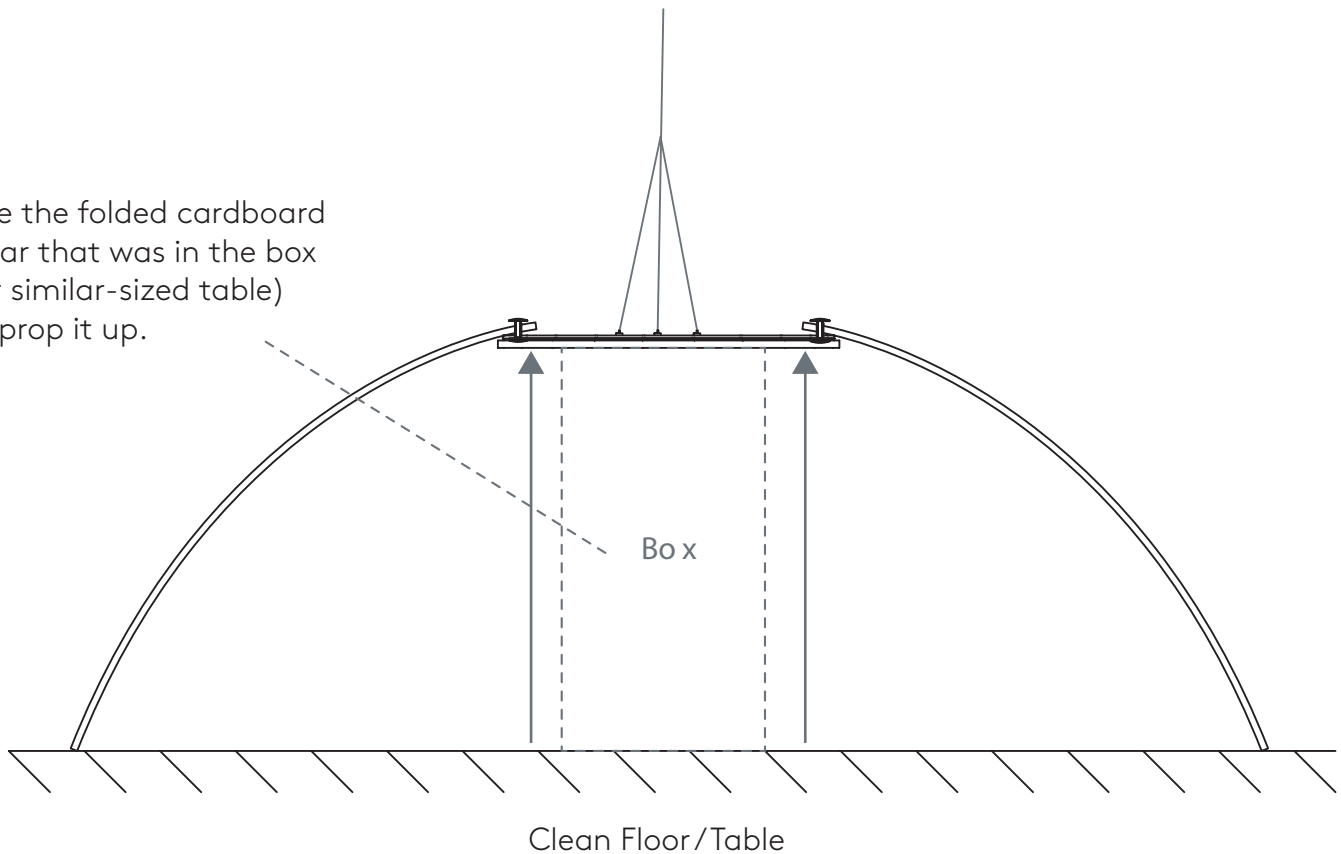
Step 5 - Lifting into shape

Use suspension cable to lift the Hush Round approximately 650mm (55 in) from the floor/surface.

The panels will begin to fall into their natural shape.



Use the folded cardboard pillar that was in the box (or similar-sized table) to prop it up.



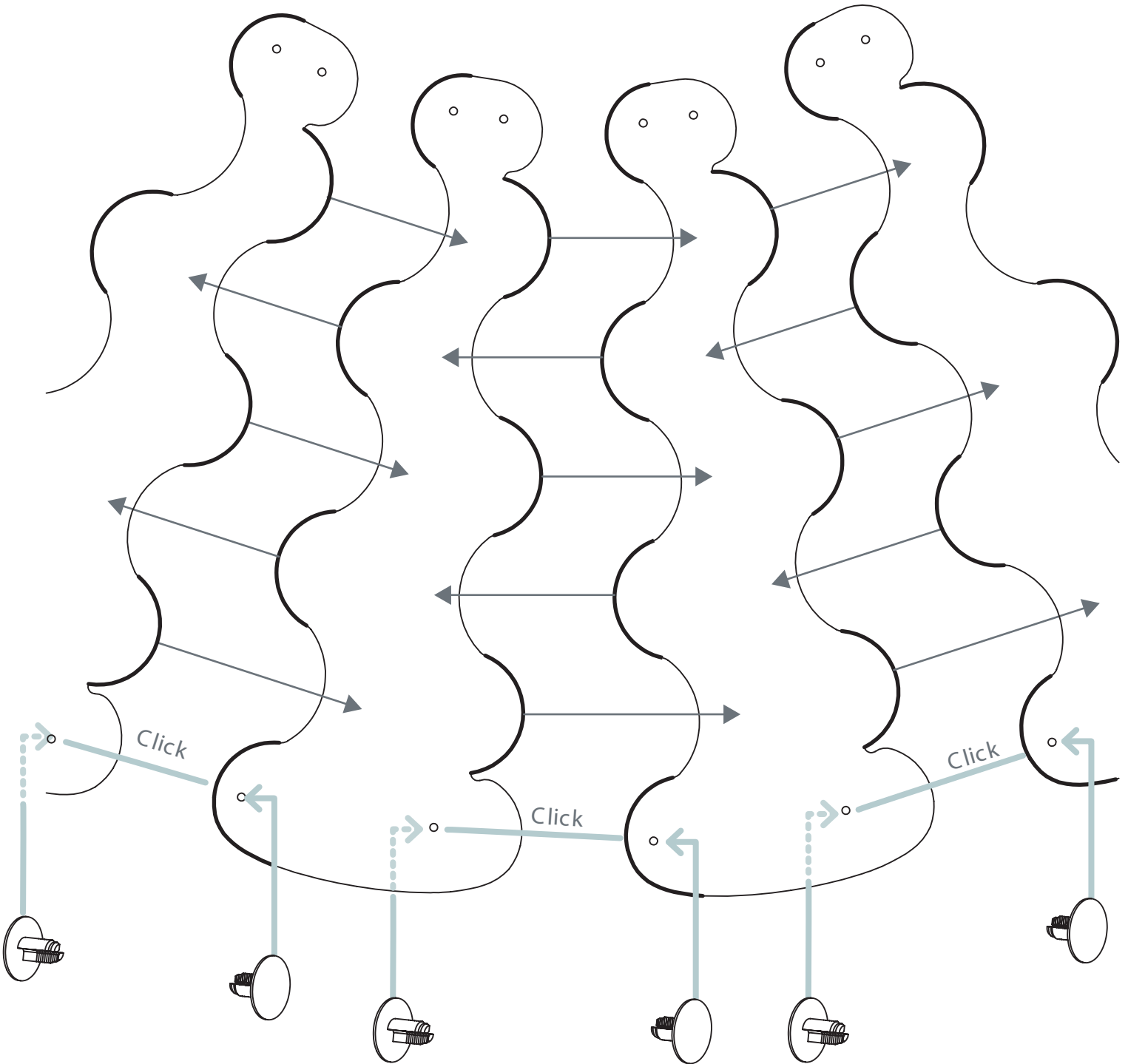
HUSH ROUND HOOD

Designed by David Trubridge
(1017-C)

pln.

Step 6A - Weaving of Panels - Exploded Detail

Bold Lines indicate the 'Ear' that sits on the outside of the Hush Round.
This weaving pattern is essential to lock the shape together



Once two panels are woven together, use two of the shorter Ratchet Rivets (13 mm) to lock them together.

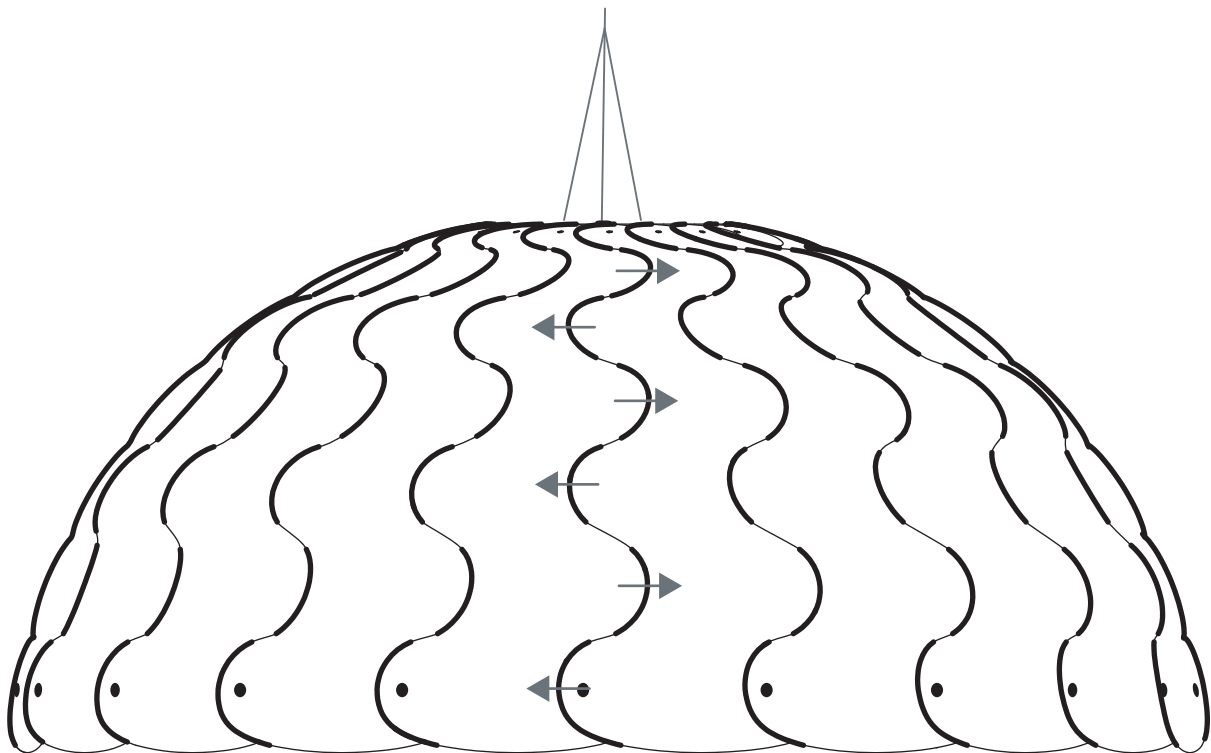
HUSH ROUND HOOD

Designed by David Trubridge

(1017-C)

pln.

Step 6A - Weaving of Panels - Finished Detail



Bold Lines indicate the 'Ear' that sits on the outside of the Hush Round.
This weaving pattern is essential to lock the shape together

HUSH ROUND HOOD

Designed by David Trubridge
(1017-C)

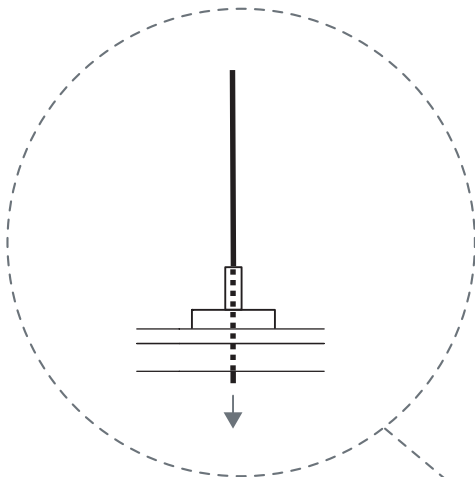
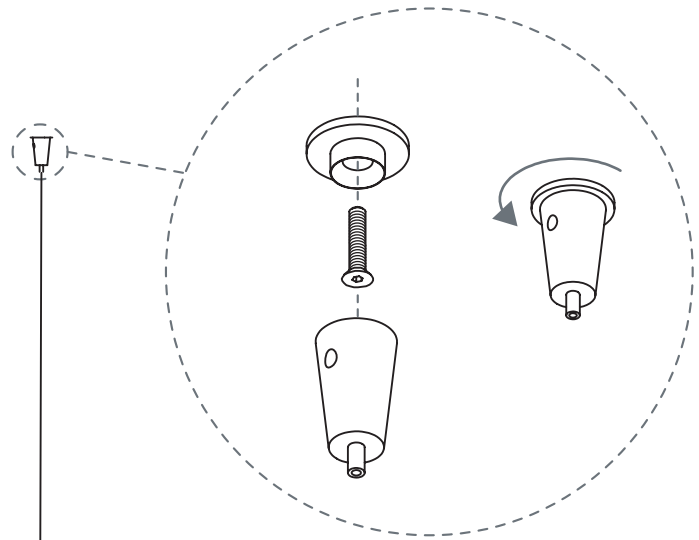
pln.

Step 7 - Height Adjustment and Levelling

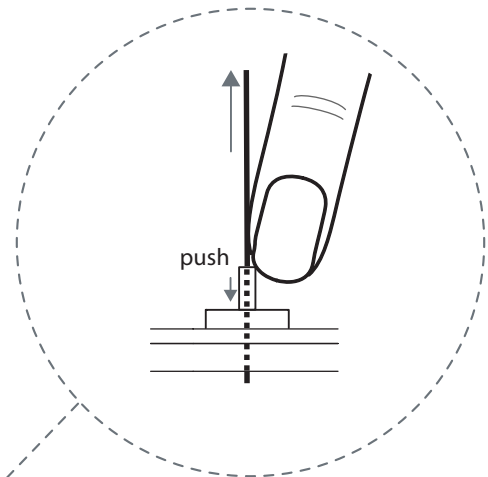
Ceiling Mounting Point.

If installing into wood use a countersunk timber screw (not supplied) to affix cone grip to ceiling.

If installing into concrete use countersunk anchor bolt (not supplied) to affix cone grip to ceiling.



To shorten wire:
Pull cable through hole
in side of gripper point



To lengthen wire:
Depress cylinder at top
of gripper point and pull
wire out

